

## WABCO AIR DRYER AND FOUR CIRCUIT PROTECTION VALVES FOR MERCEDES-BENZ ACTROS, ATEGO AND AXOR

As a specialist in compressed air braking systems, WABCO offers you a comprehensive range of air dryers and four circuit protection valves.

In addition to our previous portfolio, we now offer another option for exchanging air dryers and four circuit protection valves in Mercedes-Benz Actros, Atego and Axor type vehicles.

The WABCO air dryer includes an Air System Protector cartridge with a coalescing function and offers the same attachment options as the factory-installed air dryer.

The following table contains an overview of the Mercedes-Benz and competitor numbers that can be exchanged for the corresponding WABCO variants.

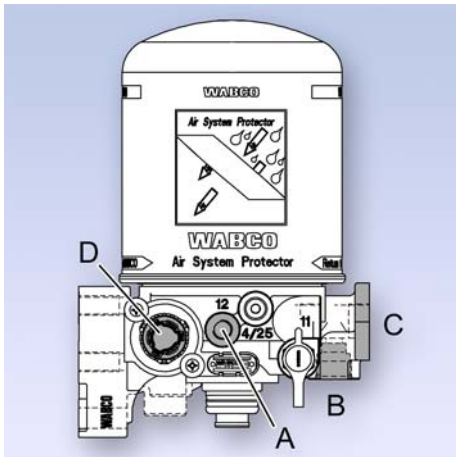


AIR DRYER		
WABCO number	Mercedes-Benz number	Competitor number
932 400 024 0 (with Air System Protector cartridge)	002 431 1315 (with Air System Protector cartridge)	K024634N00 LA9034
	002 431 1215 (with standard cartridge)	I138308FN00 LA9010



FOUR-CIRCUIT PROTECTIVE VALVE		
WABCO number	Mercedes-Benz number	Competitor number
934 705 005 0 934 705 005 7 (Replacement device)	003 431 5706	I137680N50 AE4510

For full adaptability the following components may also be necessary:



AIR DRYER COMPONENTS		
Application	Designation / WABCO number	
<b>A</b> Port 12 (External filling input)	Screw plug (M12×1.5): 893 010 030 4 Sealing washer: 811 401 032 4	
<b>B</b> Port 24 (Air suspension output)	Screw plug (M22×1.5): 893 010 100 4 Sealing washer: 893 030 040 4 O-ring: 897 780 400 4	
<b>C</b> Four circuit protection valve connection	O-ring 897 070 840 4	
<b>D</b> Heating	Sealing cap 898 012 307 2 must be removed	

For more information please contact your [WABCO Partner](#) or use our INFORM online catalogue at [inform.wabco-auto.com](http://inform.wabco-auto.com).