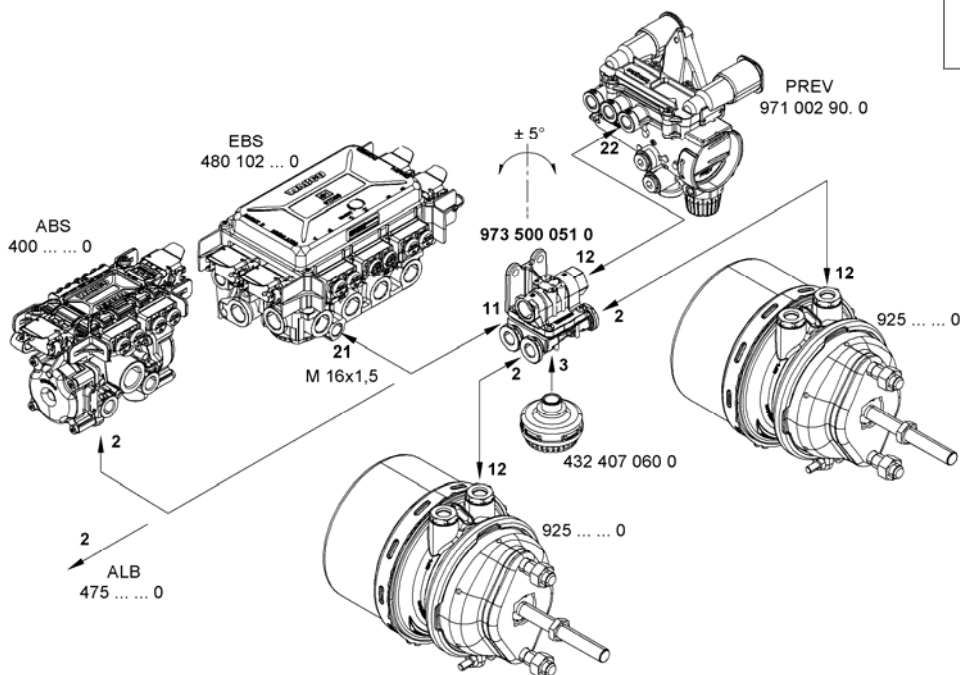


15.01.09

Quick release valve 973 500 051 0

In May 2006, we had already drawn your attention, via market information, to the installation instructions shown below.

Due to a prioritised position within the valve, it was necessary to connect the two valve inputs 11 and 12 in accordance with the diagram below. Interchanging the ports may cause air to be discharged at the exhaust of the EBS, ABS modulator or the LSV controller.



This prioritised connection no longer exists in the device since week of manufacture 43/2007. This means that ports 11 and 12 are equivalent and can be interchanged.

You will find current diagrams with the quick release valve by entering the the product number 973 500 051 0 in our product database INFORM.