

Trailer EBS Relay Valve 480 207 001 0

Changed connections on 3rd Modulator and Connection Cable 449 372 xxx 0

To improve the reliability and handling of the Trailer EBS Relay Valve (3rd modulator), the device as well as the associated Connection Cables will be switched from Kostal to DIN bayonet. Additionally, the pneumatic connection port 4 of the flanged redundancy solenoid valve will be changed from male thread M 14x1.5 to female thread M 12x1.5.

The lack of paintwork serves as a sufficient distinguishing mark for the new Trailer EBS Relay Valve. An information sheet regarding the new connection system is included with every valve. The new cables have stickers at the cable ends indicating the correct connection terminal at the Trailer EBS Relay Valve.

The old part numbers for trailer EBS Relay Valve and cable remain valid.

The changes mentioned here will be in force from week 35 / 2006.

The changes in detail are:

Trailer EBS relay valve 480 207 001 0

- The Black paint work is has been left off.
- Electrical connection of the ABS solenoid valve:
Switch from Kostal M 24x1 to DIN bayonet (DIN 72585-A1-3.1-Sn/K1).
- Electrical connection of the ABS redundancy solenoid valve:
Switch from Kostal M 24x1 to DIN bayonet (DIN 72585-A1-2.1-Sn/K1).
- Pneumatic connection 4 on redundancy solenoid valve:
Switch from male thread M 14x1.5 to female thread M 12x1.5.

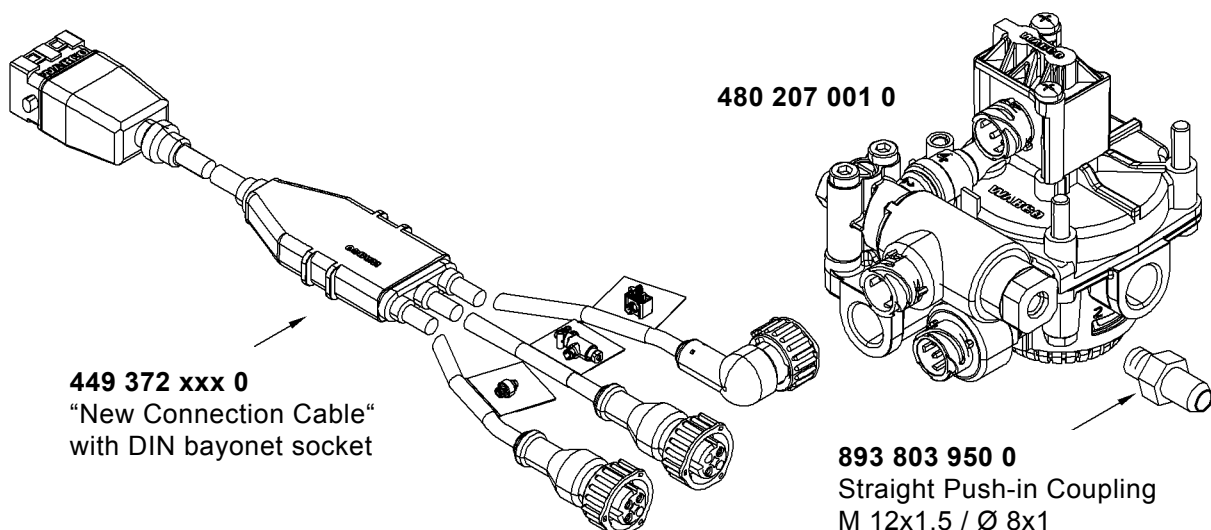
Connection cable 449 372 xxx 0 for Trailer EBS Relay Valve 480 207 001 0

- Kostal connectors changed to DIN bayonet.
- Elbow plug for the ABS solenoid.
- Identification plates on each cable end.

Procedure for Original Equipment:

“New Connection Cable“ and “New Trailer EBS Relay Valve“

- A coupling is required for connection port 4!



Ordering:

From week 35 onwards, only the new variant will be supplied when ordering cables and Trailer EBS Relay Valves. All the existing part numbers are retained.

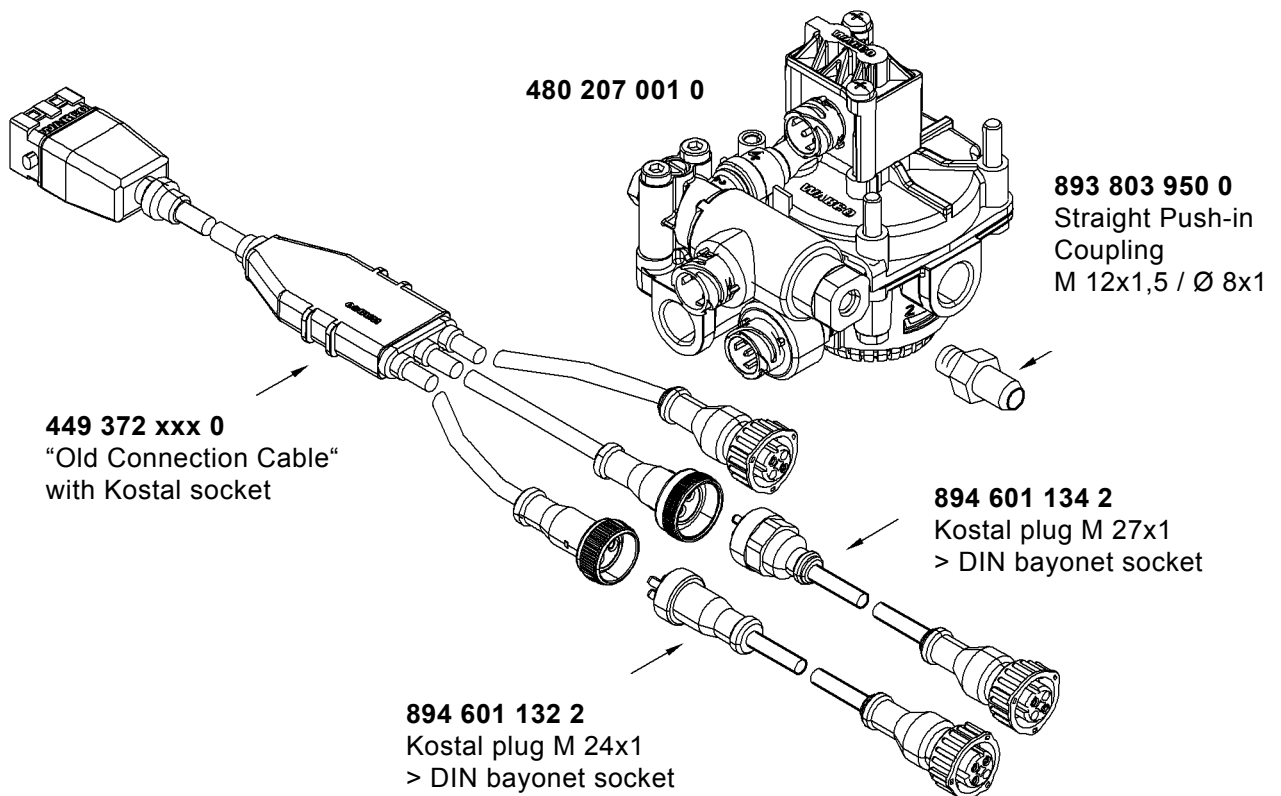
Stocks at WABCO are to be cleared by calendar week 34 so that only new types of the Trailer EBS Relay Valves and associated cables will be shipped.

Procedure for remaining stock of Trailer EBS Relay Valves or Connection Cables:

- WABCO offers adapter cables for all possible combinations so that remaining stock can be used up.

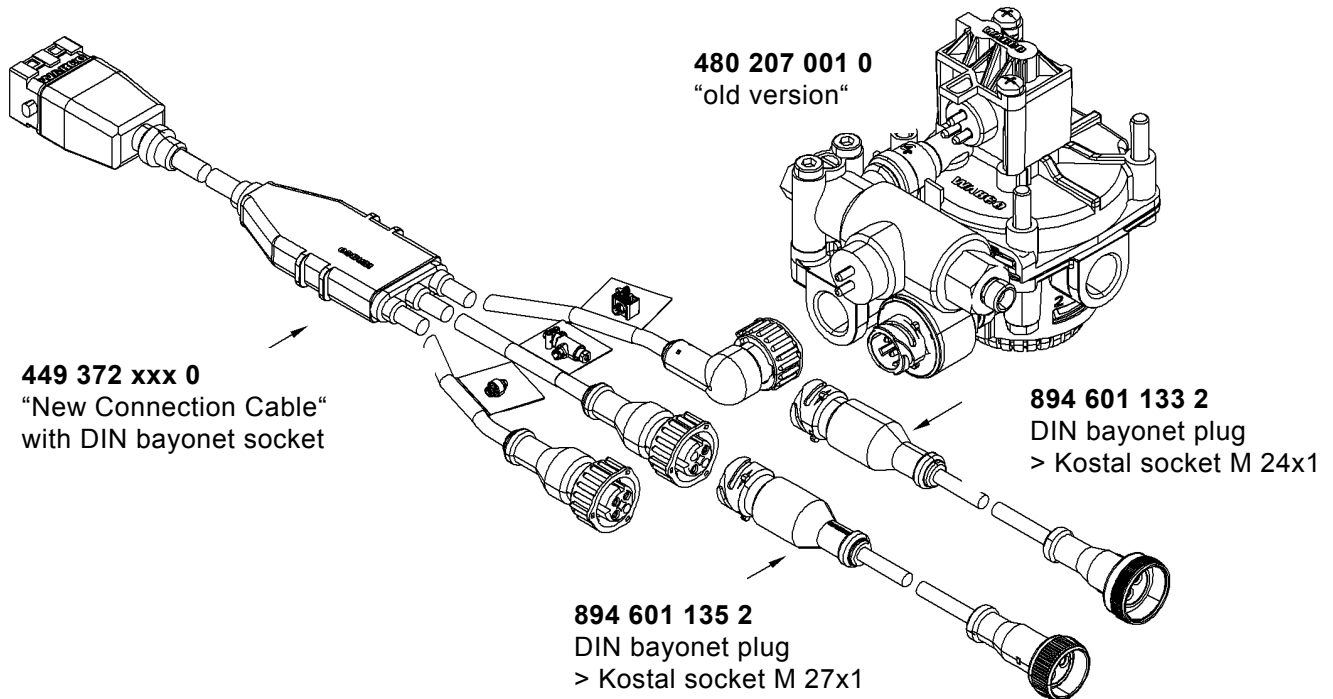
“Old Connection Cable“ and “New Trailer EBS Relay Valve“:

- Two different Adapter Cables and a new coupling are required for connection port 4!



“New Connection Cable“ and “Old Trailer EBS Relay Valve“:

- Two different Adapter Cables are required!



Procedure for Aftermarket:

For replacement requirements, WABCO offers a matching **Service-Set 400 603 430 0** for the old connection cable, consisting of:

- New type Trailer EBS Relay Valve
- Push-in Coupling M 12x1.5 / Ø 8x1
- Adapter cable Kostal plug M 24x1 > DIN bayonet socket
- Adapter cable Kostal plug M 27x1 > DIN bayonet socket

894 601 134 2
Kostal plug M 27x1
> DIN bayonet plug

480 207 001 0
“new version“

894 601 132 2
Kostal plug M 24x1
> DIN bayonet socket

893 803 950 0
Straight Push-in Coupling
M 12x1,5 / Ø 8x1

If only the Connection Cable needs to be replaced and the old Trailer EBS Relay Valve remains on the vehicle, the two adapter cables need to be ordered separately are:

- 894 601 133 2 DIN bayonet plug > Kostal socket M 24x1
- 894 601 135 2 DIN bayonet plug > Kostal socket M 27x1

Overview of components:

Name	Order number	Comment
Service-Set Trailer EBS Relay Valve	400 603 430 0	Contents: 480 207 001 0 Trailer EBS Relay Valve 894 601 132 2 Adapter Cable 894 601 134 2 Adapter Cable 893 803 950 0 Push-in Coupling
Trailer EBS Relay Valve	480 207 001 0	
Connection Cable of Trailer EBS Relay Valve	449 372 010 0	L = 1m
	449 372 030 0	L = 3m
	449 372 060 0	L = 6m
	449 372 080 0	L = 8m
	449 372 100 0	L = 10m
	449 372 120 0	L = 12m
	449 372 130 0	L = 13m
Adapter Cable for old Connection Cable	894 601 132 2	DIN bayonet socket -> Kostal plug M 24x1
	894 601 134 2	DIN bayonet socket -> Kostal plug M 27x1
Adapter Cable for old Trailer EBS Relay Valve	894 601 133 2	DIN bayonet plug -> Kostal socket M 24x1
	894 601 135 2	DIN bayonet plug -> Kostal socket M 27x1
Push-in Coupling	893 803 950 0	M12x1.5 / Ø 8x1

You will find up-to-date drawings with Trailer EBS Relay Valve and drawings of the listed components on the Internet in our product database INFORM. www.wabco-auto.com