

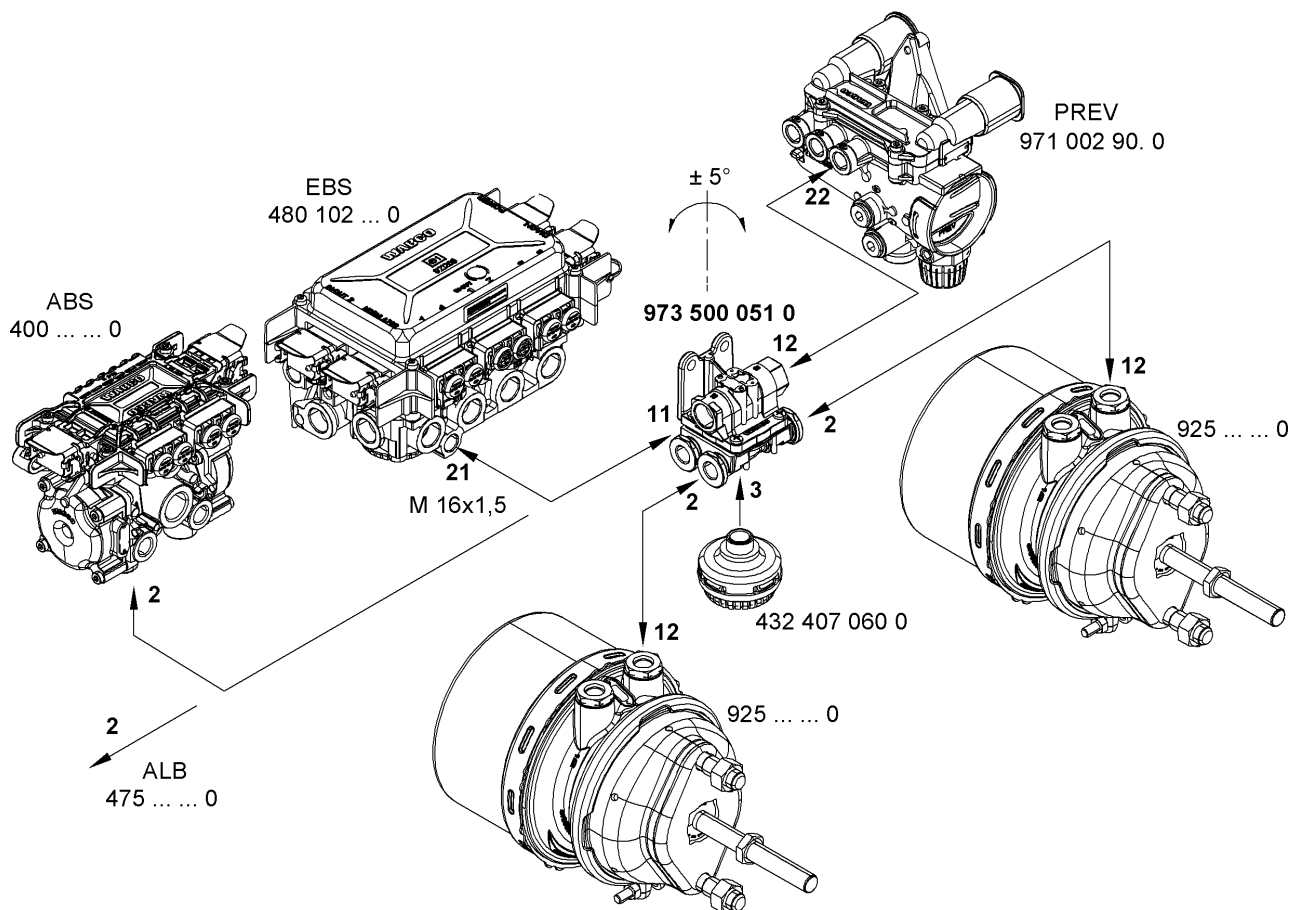
973 500 051 0 Installation Instructions



When fitting the quick release valve 973 500 051 0 manufactured later than production week 11/06, as replacement or into new vehicles, the port assignment with regard to ports 11 and 12 must follow to the scetch shown below.

The reason for this is an additional spring which fixes the piston into a secure position. Mixing up the ports might cause venting air at the exhaust of both LSV or EBS modulator. This would be no fault at these devices.

The installation position of the quick release valve shown is +/- 5° max deviation.



Aktual wiring diagrams showing the quick release valve 973 500 051 0 are to be found in INFORM on the Internet.

www.wabco-auto.com