

## Repair of disc brakes: No problem with our tools and our repair kits

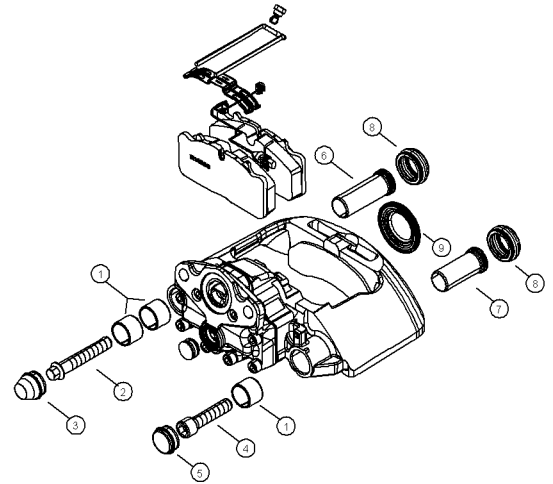
Even for our disc brakes we bet on repair kits. Compared with purchasing a single component only, the usage of a repair kit ensures a greater degree of service life of the repaired device. Since all wear parts have the same age they therefore should be renewed completely .

### Brake pad kits

As well as the brake pads and locking screws, the repair kit contains hold-down springs and bars, which have absolutely to be changed with every pad change. Please note that locking screws and bars in the specified quality are available at WABCO only.

### Guide bolts and seals

If you recognize a patchy wear when changing the pads or if the brake calliper can be moved back using high force, you have to replace the guide bolts together with their bearings and seals. Our repair kits include all parts for this repair.



### Seals clamping unit

In no case humidity and dirt may permeate into the clamping unit. An injured gaiter inevitably will influence the safe function of the brake. Therefore you should control the seals of the clamping unit at all times you re-adjust the brake. If necessary you have to renew the seals by using our repair kit.

### The tool box

For a professional repair you need good tools. The WABCO tool box contains special tools needed for the PAN series, as soon you have more to do than pad change.

The tool box 12 851 021 was extended and can be deployed for all brakes of series PAN19-1, PAN19-1plus, PAN19-2, PAN22-1 and PAN25-1.

With tool box 12 851 022 you can repair the light brakes of the PAN17 series.



### Documentation

All information required for the correct application of the different tools are shipped with the tool boxes.

Furthermore you can order maintenance instructions for the appropriate brake at your WABCO partner or download it in INFORM at [www.wabco-auto.com](http://www.wabco-auto.com).

WABCO Order Number	Reference number	Application	Brake type	Application	Tool
12 999 698VT 12 999 703VT 12 999 743VT	IVECO 1906467 RVI 5010848607 DAF 1436901	brake pads and wear indicators	PAN17	per axle	
12 999 782	MAN 81.50820-6042	brake pads	PAN17	per axle	
12 999 737VT	SAF 3.057.0080.00; Kögel 189273; York 327 886 003 00	brake pads	PAN19-1 plus	per axle	
12 999 791	DAF 1628064	brake pads and wear indicators	PAN19-1 plus	per axle	
12 999 747VT 12 999 748VT	MACK 2611-12999747VT DAF 1440504	brake pads and wear indicators	PAN19-2	per axle	
12 999 796	SAF 3.057.0084.00	brake pads	PAN22-1	per axle	
12 999 755VT	Krone 5816336/0; Kögel 6500336; SAF 3.424.2001.00	wear indicators	PAN19-1 / PAN19-1plus	per axle	
12 999 797	SAF 3.424.2009.0	wear indicators	PAN22-1	per axle	
12 999 580VT 12 999 699VT 12 999 704VT	MAN 81.50822-6003 DAF 1436853; IVECO 42536957 RVI 5001852880	guide bolts and seals	PAN17	per brake	Koffer 12 851 022
12 999 738VT 12 999 776	York 79787365; SAF 3.434.3827.01 DAF 1628065; SAF 3.434.3828.00	guide bolts and seals	PAN19-1 / PAN19-1plus / PAN22-1	per brake	Koffer 12 851 021
12 999 746VT		guide bolts and seals	PAN19-2	per brake	Koffer 12 851 021
640 175 920 2		seals clamping unit	PAN17 / PAN19-1 / PAN19-1plus / PAN22-1	per brake	Contained in the repair kit

Shown repair kits just represent a selection.