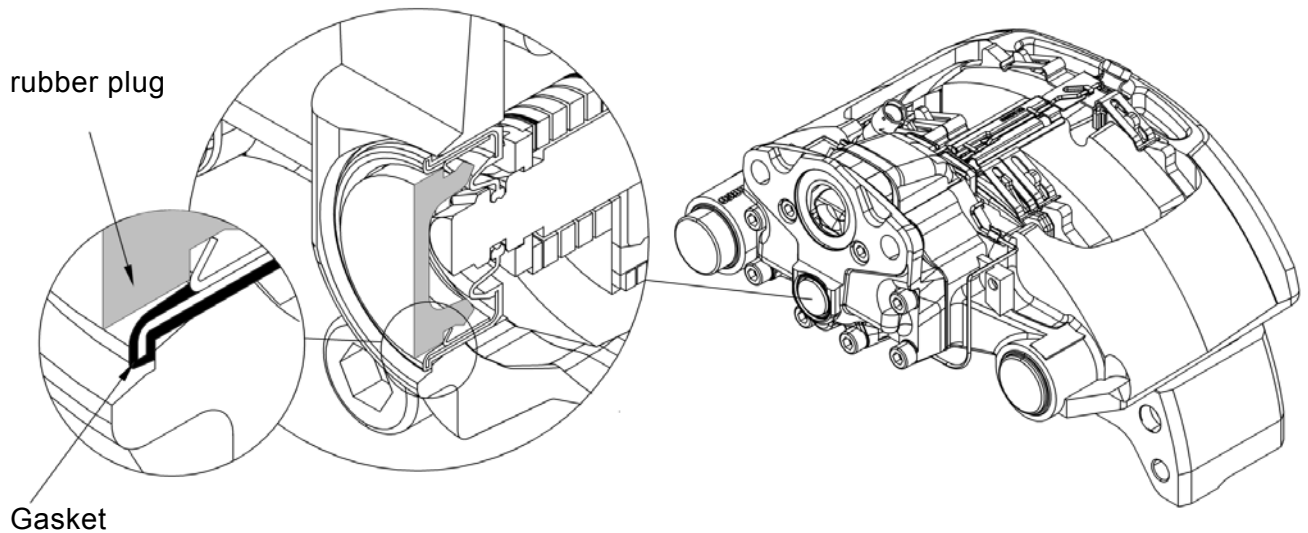


### Attention when readjusting Disc Brakes

The readjustment device of our PAN range disk brakes is highly protected from penetration of water or dirt. The rubber plug in front of the adjustment screw is not sealing against the casting but a specific gasket, pressed into the body.



With a screw driver, the rubber plug can be levered up. When doing this, please take care not to damage the outer diameter of the gasket. Take note of the photograph, press against the rubber plug only.



Before working on brake devices, carefully read the relevant WABCO maintenance instructions.



**GEFAHR**

**An improper opening of the rubber plug can cause a damage of the gasket. Water penetration, followed by brake failure, is the possible result.**