

Electrical faults in Trailer EBS systems (software status C1 .. D) of trailer emergency valve 971 002 802 0

This Information concern failures of signal transport between trailer emergency valve 971 002 802 0 and TEBS Modulator.

How to detect these electrical failures

One of the following failures numbers, shown in the diagnostic memory of the modulator, refer to a defective electrical part of the trailer emergency valve:

7612, 7614

7703, 7704, 7711, 7712, 7713

7800, 7803, 7804, 7811, 7813

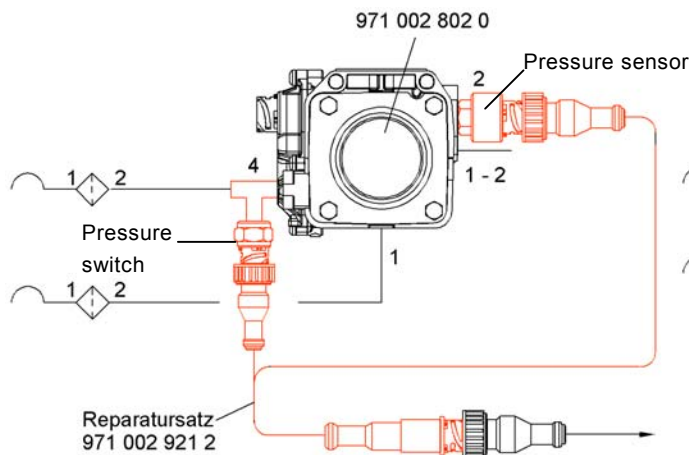
22103, 22104

24604, 24605, 24614

Repair

The fitted trailer emergency valve 971 002 802 0 is to be retrofitted with repair kit 971 002 921 2 or 971 002 922 2, depending on the software status of the TEBS modular.

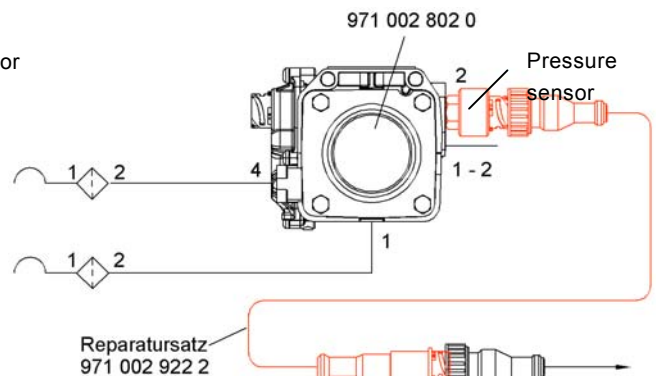
Repair Kit 971 002 921 2 with software status C1, C2



Repair kit 971 002 921 2 contains:

- Y-cable
- pressure switch
- pressure sensor
- bulkhead coupling
- counter nut
- T fitting

Repair Kit 971 002 922 2 with software status C3 and D



Repair kit 971 002 922 2 contains:

- cable
- pressure sensor

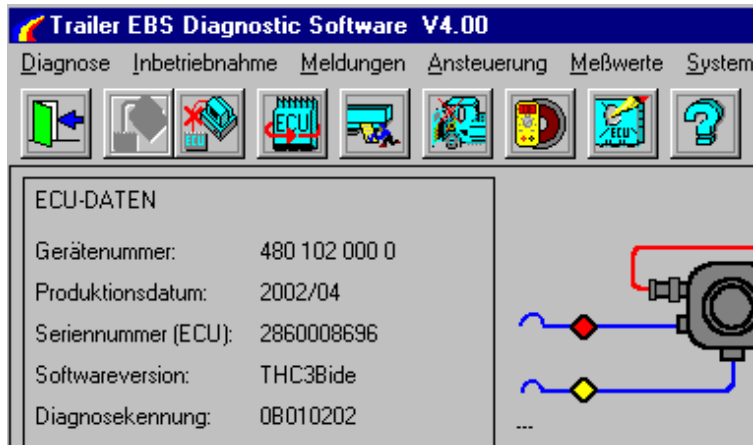
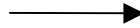
The right of amendment is reserved © copyright: WABCO' 2004
No part of this publication may be reproduced without our prior permission.

Änderungen bleiben vorbehalten © Copyright: WABCO' 2004
Nachdruck - auch auszugsweise - nur mit unserer Genehmigung.

Where do I find the software status of the TEBS?

The right of amendment is reserved © copyright: WABCO' 2004
No part of this publication may be reproduced without our prior permission.

e.g. C3:
THC3Bide



	Repair kit needed								version A	version B
	000 0	001 0	002 0	004 0	005 0	010 0	014 0	015 0	971 002 921 2	971 002 922 2
TEBS generation 480 102	sensor with switch	sensor
C1, C2	X	-	X	X	X	-	-	-	X	
C3 from week 48/2001	X	X	X	X	X	-	-	-	-	X
D (when 971 002 802 0 fitted only)	X	-	-	-	-	X	X	X	-	X

Änderungen bleiben vorbehalten © Copyright: WABCO' 2004
Nachdruck - auch auszugsweise - nur mit unserer Genehmigung.

- After fitting the repair kit 971 002 921 2 or 971 002 922 2, the electrical part of the valve is kept unplugged and unchanged
- After fitting the repair kit, a new startup procedure is not required.
- In case of electrical failures in the warranty period, documented with the diagnostic protocol, from now on only repair kit expenses are covered .

Supplement:

Repair kit 971 002 920 2 is no longer valid and replaced by 971 002 921 2.