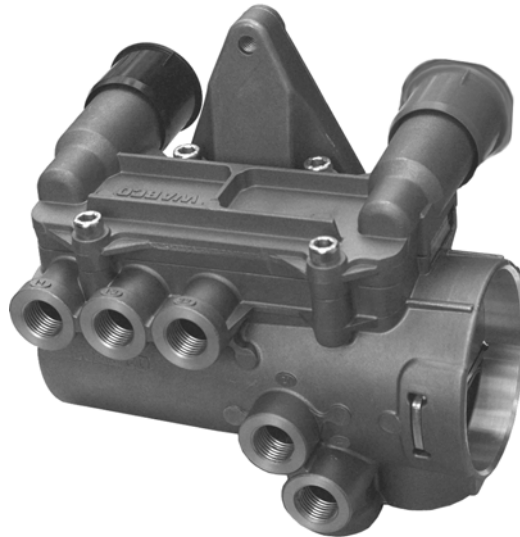
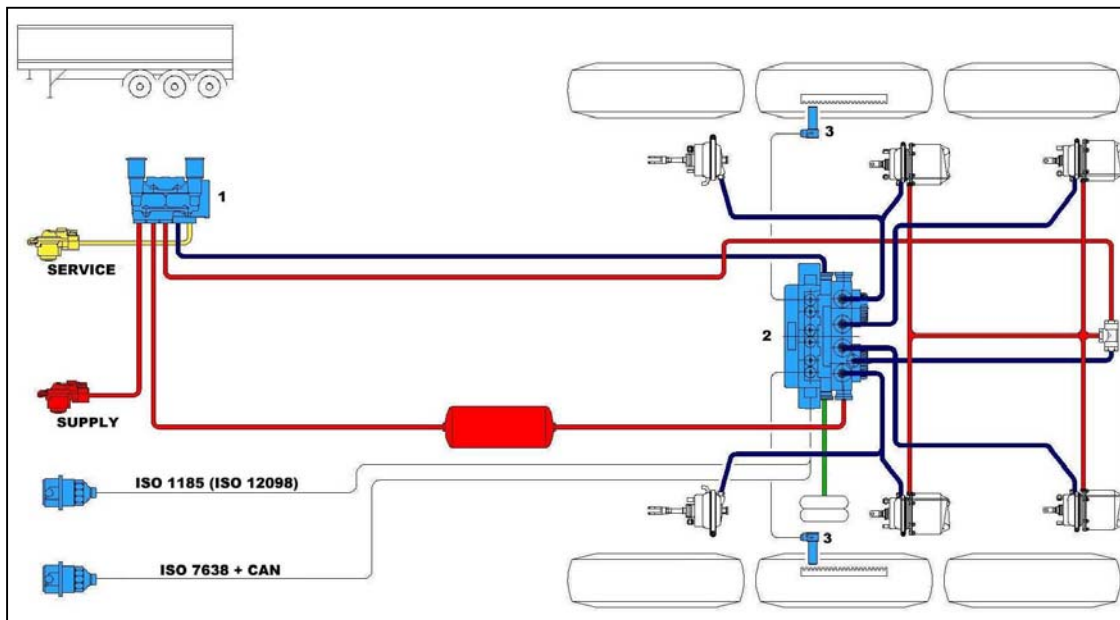


Park-release emergency valve (PREV)



971 002 900 0

The park release emergency valve replaces the trailer emergency valve and the twin release valve, used till now in the trailer braking systems of the EBS D generation. This valve simplifies the trailer braking system by the elimination of one device and realises the functions typically for the trailer braking valve, as tear-off function or pressure restraint when the (semi-)trailer has been unhitched.



Advantages

- **Combination** of trailer emergency valve and twin release valve.
- When an air leakage an **unhitched trailer** also has the service brakes in operation automatically through the spring brakes.
- **Emergency braking function** is therefore performed through the BBA and with that **ABS controlled**. This is important, when there is a decline in the reservoir's pressure, e.g. due to insufficient emergency supply. With the WABCO PREV it will come to an ABS-controlled braking.

PREV-expert report (see enclosure)

Drawings with PREV

At the **2-axle trailer** we advise to plan the modulator on the front axle and the EBS relay valve on the rear axle. With that the RSS function is later also possible, without changing the braking system again.

Following drawings are available in INFORM WEB via www.wabco-auto.com :

Typ	Achsen	ABS-System	Nummer	Überl. Relaisv.	mit TCE	Bemerkungen
DA	2	4S/3M	841 601 080 0			
DA	2	4S/3M	841 601 081 0	ja		
DA	2	4S/3M	841 601 085 0			Modulator VA !
SA	2	4S/3M	841 700 937 0	ja		
SA	2	4S/2M / 2S/2M	841 700 936 0	ja		
ZAA	2	4S/2M / 2S/2M	841 601 059 0	ja		
DA	3	4S/3M	841 601 092 0	ja		
SA	3	4S/2M / 2S/2M	841 700 915 0		ja	Ersetzt durch 841 700 916 0
SA	3	4S/2M / 2S/2M	841 700 916 0	ja	ja	Ersatz für 841 700 915 0
SA	3	4S/2M / 2S/2M	841 700 929 0			
SA	3	4S/2M / 2S/2M	841 700 948 0	ja		
SA	3	4S/2M / 2S/2M	841 700 962 0			Innenlader
SA	3	4S/2M / 2S/2M	841 701 010 0	ja		Innenlader
SA	3	4S/3M	841 701 011 0	ja		

Further information:

Booklet EBS D 815 000 420 3

Test report nr. EB 134.1 (815 000 400 3)