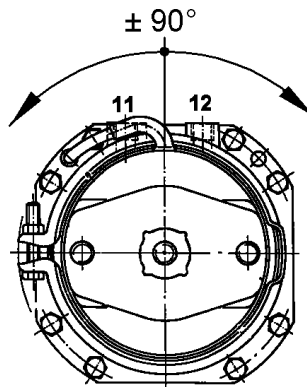


“Respiration tube” for universal tristop®-cylinder

WABCO has put together a special respiration tube repair kit specifically for universal tristop®-cylinder types E, F, and G.

It contains two clamps and a tube with a length of 300 mm.



With this kit you have the possibility to turn the exhaust in the cylinder cover to the air connections with max. +/- 90°.

WABCO offers the following kits:

- **925 450 920 2** for universal tristop®-cylinder **type G** which have the part numbers **925 45. ... 0**
- **925 450 921 2** for universal tristop®-cylinder **type E and F** which have the part numbers **925 3.. ... 0 and 890 11. ... 0**



Warning:

Universal tristop®-cylinders must be changed and mounted strictly to the WABCO instructions.

See documentation 815 000 259 3.