

WABCO focuses on threaded fittings with “New Line” technology

After years of using fittings with New Line technology on Trailer EBS E modulators and other devices, we are convinced of the sturdiness and security of these insert fittings.

Besides the low weight, these fittings are easily disassembled and are completely re-usable in the threaded fitting and the inlet. Thanks to the higher percentage of plastic, these fittings are not affected as much by the current price increases on the brass market.

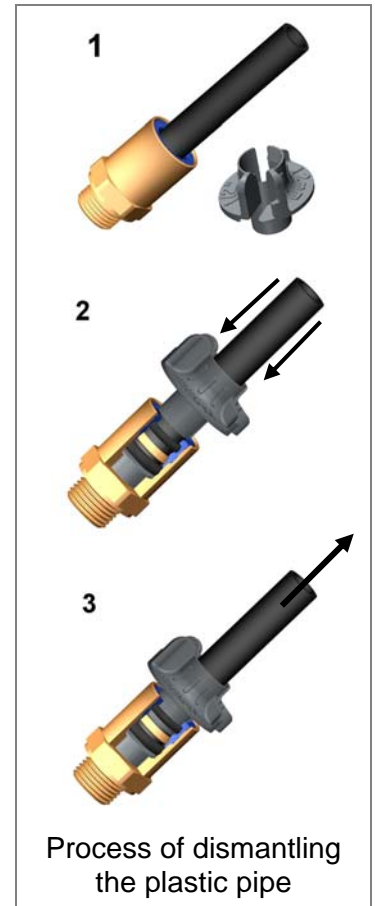
Re-usable

The device is fitted with all threaded fittings in advance. During the installation, the respective plastic pipe is simply inserted into the threaded fitting. A retainer ring with a barbed effect holds the pipe in place, an additional O-ring in the threaded fitting ensures a good seal.

To release the fitting, a dismantling tool in the form of a split, fine sleeve is inserted between the pipe and the retainer ring. The sleeve holds in the retainer ring and the pipe can be pulled out of the sleeve. Now the sleeve presses together so that it can be pulled easily out of the retainer ring. The threaded fitting can usually be re-used for several years, as long as the seal does not harden. A leakage test must be performed in any case.

Your benefits in replacing devices concerning

- Cost savings: Old threaded fittings are used in new device.
- Time savings: Plastic pipe does not have to be replaced/extended and does not need time consuming paint removal.



The following table contains an overview of order numbers:

Pipe Ø	Thread	Brass	New Line Technology
8x1	M 12x1.5	893 803 950 0	893 800 007 2
8x1	M 16x1.5	893 803 960 0	893 800 001 2
8x1	M 22x1.5	893 803 970 0	893 800 005 2
12x1.5	M 16x1.5	893 803 006 0	893 800 002 2
12x1.5	M 22x1.5	893 803 007 0	893 800 008 2
15x1.5	M 22x1.5	893 803 971 0	893 800 004 2
16x2	M 22x1.5	893 803 690 0	893 800 003 2



15.04.2010

New removal tool

Until now, we have used a set of plastic removal tools under part number 899 700 920 2, which are reasonably priced but can be prone to wear with heavy use.

In addition, we now have a metal removal tool that is not subject to the same kind of wear. The tools also have a handle attached for easier use.

* Note: These variants will be available in a few weeks.

Pipe Ø	Removal tool	Figure
8x1	899 700 001 4	
12x1.5	899 700 002 4	
15x1.5; 16x2	899 700 003 4	
Set	899 700 920 2	
8x1	899 700 012 4	
12x1.5	899 700 014 4*	
15x1.5	899 700 015 4*	
16x2	899 700 016 4	

Case with threaded fittings

Our fittings case 893 000 200 0 is ideal for any workshop or service vehicle with all major threaded fittings ready to use and very well organised. The straight threaded fittings in this case are now converted to the New Line Technology.

Our assortment

We are continually working on adapting our assortment of fittings to the requirements of your workshop. You can find more information in our fittings catalogue via this [Link](#).

Speak to your WABCO partner!

