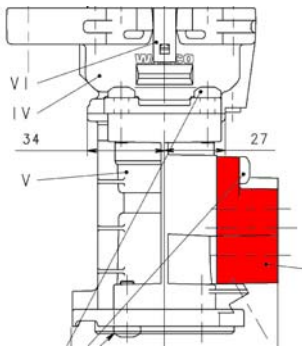
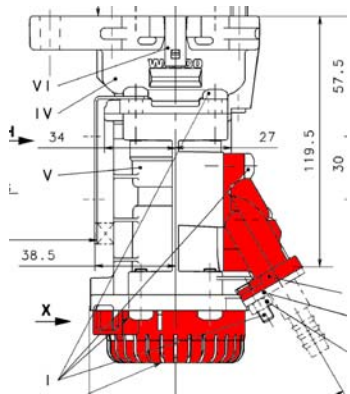
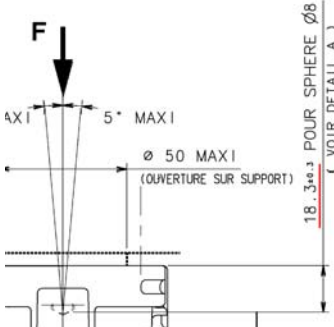
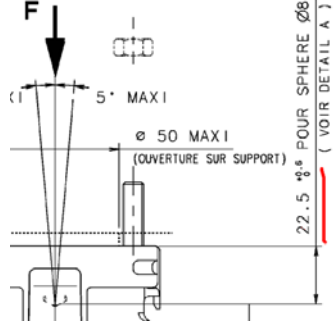


461 949 508 1 – Alternative solution: 461 494 509 0

461 949 507 1 – Alternative solution: 461 494 502 0

Technical differentiation:

Attributes	461 494 508 1 461 494 507 1	461 494 509 0 461 494 502 0
<p>Pneumatic ports. Silencer.</p> <p>Solution: Use ports from origin de-vice.</p>		
<p>Internal operating piston. Mounting screws.</p> <p>Solution: Use upper body from ori-gin device.</p>		

Please note that claims for devices which have been manipulated will not be approved.
Test device according to data shown on the outline drawing.