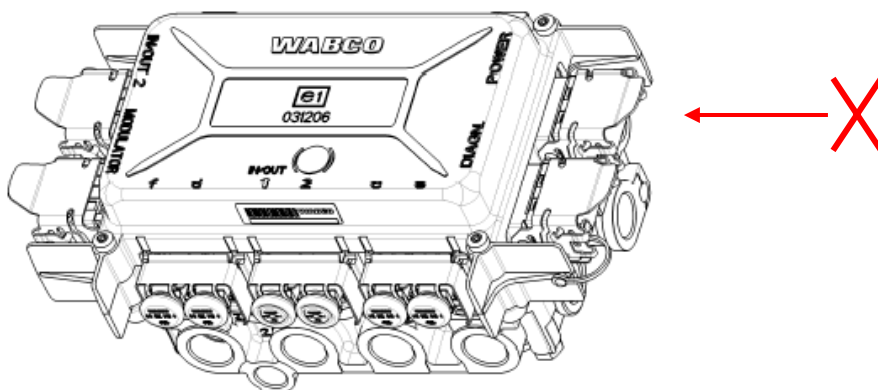


Trailer EBS Generation C Modulator Replacement

Replacement Table Trailer EBS Modulators		
TEBS C	Type	Replaced by
480 102 000 0	EBS/BVA	480 102 014 0
480 102 002 0	EBS/TCE	480 102 015 0
480 102 001 0	EBS/BVA, Battery	480 102 014 0
480 102 004 0	EBS/RSS/BVA	480 102 014 0
480 102 005 0	EBS/TCE/RSS	480 102 015 0

The following steps must be followed when replacing the modulator:

- Check and observe the instructions of the vehicle manufacturer.
- The set values of the modulator must be transferred to the new device. For this, you need the current diagnostics software for Trailer EBS and the PIN for the parameter setting.
- **The pneumatic control line (Yellow line) from the RE valve should only be connected to connection port 4, connection port 5 is closed.**



- The cable of the RE valve is connected with the IN/OUT 2 connection and the cable of the external unladen axle load sensor with the IN/OUT 1 connection.
- Set the parameters for the modulator according to the silver system plate on the vehicle.
- Also set the following parameters via the software:
 - Connector IN/OUT 1 = “External unladen axle load sensor”
 - Connector IN/OUT 2 = “Additional external brake pressure sensor connected”
- Perform the startup procedure.

All features of the TEBS D Generation, such as Roll Stability Support (RSS), brake pad wear indication (BVA) and integrated traction control are available after the modulator replacement. The activation of these features is described in the “TEBS D System Description”. This document can be found in our INFORM product catalog under product number 815 010 020 3 at

www.wabco-auto.com