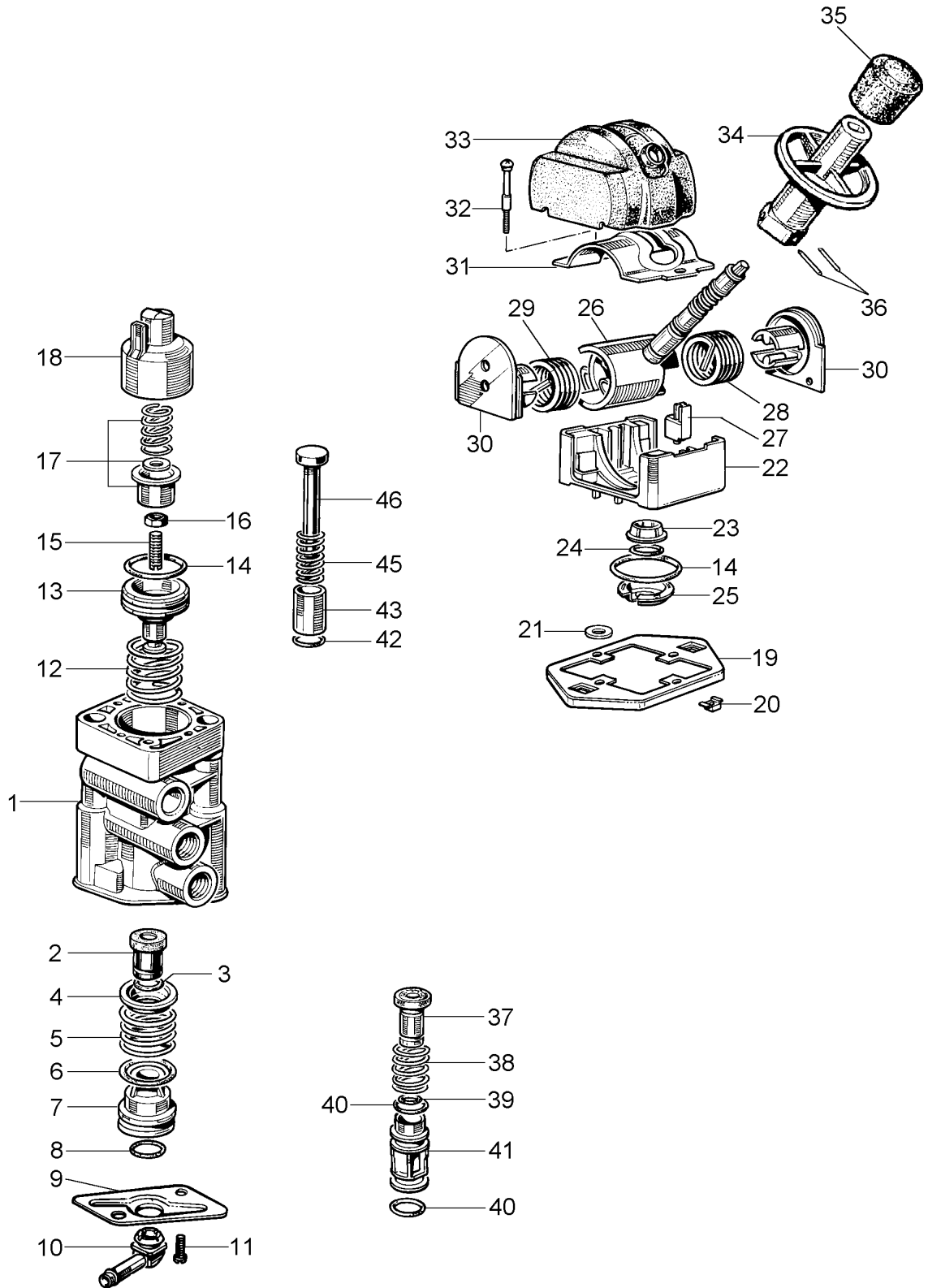


# Robinet à main type MVR

961 722



# Robinet à main

## type MVR

# 961 722

| Désignation           | n °<br>de repère | n °<br>de catalogue  | pièces communes<br>aux variantes | quantité par variante |  |  |  | jeu<br>de<br>réparation |     |  |
|-----------------------|------------------|----------------------|----------------------------------|-----------------------|--|--|--|-------------------------|-----|--|
|                       |                  |                      |                                  | 324                   |  |  |  |                         |     |  |
| <b>Robinet à main</b> |                  | <b>961 722 ... 0</b> |                                  |                       |  |  |  |                         |     |  |
| Jeu de réparation     |                  | 961 722 003 2        |                                  | X                     |  |  |  |                         | 003 |  |
| Corps                 | 1                | -                    | 1                                |                       |  |  |  |                         |     |  |
| Clapet                | 2                | NTS                  | 1                                |                       |  |  |  |                         | 1   |  |
| Joint torique         | 3                | NTS                  | 1                                |                       |  |  |  |                         | 1   |  |
| Coupelle              | 4                | NTS                  | 1                                |                       |  |  |  |                         | 1   |  |
| Ressort               | 5                | NTS                  | 1                                |                       |  |  |  |                         | 1   |  |
| Joint torique         | 6                | NTS                  | 1                                |                       |  |  |  |                         | 1   |  |
| Guide de clapet       | 7                | -                    | 1                                |                       |  |  |  |                         |     |  |
| Joint torique         | 8                | NTS                  | 1                                |                       |  |  |  |                         | 1   |  |
| Couvercle             | 9                | -                    | 1                                |                       |  |  |  |                         |     |  |
| Pipette d'échappement | 10               | 961 722 220 4        | 1                                |                       |  |  |  |                         |     |  |
| Vis                   | 11               | -                    | 2                                |                       |  |  |  |                         |     |  |
| Ressort               | 12               | NTS                  | 1                                |                       |  |  |  |                         | 1   |  |
| Piston                | 13               | -                    | 1                                |                       |  |  |  |                         |     |  |
| Joint torique         | 14               | NTS                  | 2                                |                       |  |  |  |                         | 2   |  |
| Vis                   | 15               | -                    | 1                                |                       |  |  |  |                         |     |  |
| Ecrou                 | 16               | -                    | 1                                |                       |  |  |  |                         |     |  |
| Boîte à ressort       | 17               | -                    | 1                                |                       |  |  |  |                         |     |  |
| Poussoir              | 18               | 961 722 623 2        | 1                                |                       |  |  |  |                         |     |  |
| Plaque de fixation    | 19               | -                    | 1                                |                       |  |  |  |                         |     |  |
| Ecrou cage            | 20               | -                    | 2                                |                       |  |  |  |                         |     |  |
| Rondelle              | 21               | -                    | 2                                |                       |  |  |  |                         |     |  |
| Tête                  | 22               | -                    | 1                                |                       |  |  |  |                         |     |  |
| Bague                 | 23               | -                    | 1                                |                       |  |  |  |                         |     |  |
| Joint torique         | 24               | NTS                  | 1                                |                       |  |  |  |                         | 1   |  |
| Capsule               | 25               | -                    | 1                                |                       |  |  |  |                         |     |  |
| Came complète         | 26               | 961 901 079 2        | 1                                |                       |  |  |  |                         |     |  |
| Poussoir nu           | 27               | -                    | 1                                |                       |  |  |  |                         |     |  |
| Ressort de torsion    | 28               | NTS                  | 1                                |                       |  |  |  |                         | 1   |  |
| Ressort de torsion    | 29               | NTS                  | 1                                |                       |  |  |  |                         | 1   |  |
| Embout                | 30               | -                    | 2                                |                       |  |  |  |                         |     |  |
| Plaque de frottement  | 31               | -                    | 1                                |                       |  |  |  |                         |     |  |
| Vis                   | 32               | -                    | 2                                |                       |  |  |  |                         |     |  |
| Capot                 | 33               | 961 722 452 2        | 1                                |                       |  |  |  |                         |     |  |
| Poignée               | 34               | -                    | 1                                |                       |  |  |  |                         |     |  |
| Fourreau              | 35               | -                    | 1                                |                       |  |  |  |                         |     |  |
| Boule                 | 36               | 899 852 130 2        | 1                                |                       |  |  |  |                         |     |  |
| Aiguille              | 37               | NTS                  | 2                                |                       |  |  |  |                         | 2   |  |
| Clapet                | 38               | NTS                  | 1                                |                       |  |  |  |                         | 1   |  |
| Ressort               | 39               | NTS                  | 1                                |                       |  |  |  |                         | 1   |  |
| Joint torique         | 40               | NTS                  | 1                                |                       |  |  |  |                         | 1   |  |
| Joint torique         | 41               | NTS                  | 2                                |                       |  |  |  |                         | 2   |  |
| Guide de clapet       | 42               | -                    | 1                                |                       |  |  |  |                         |     |  |
| Joint torique         | 43               | NTS                  | 1                                |                       |  |  |  |                         | 1   |  |
| Entretoise            | 44               | -                    | 1                                |                       |  |  |  |                         |     |  |

NTS : non tarifée séparément : voir jeu de réparation

# Robinet à main type MVR

# 961 722

| Désignation           | n °<br>de repère | n °<br>de catalogue  | pièces communes<br>aux variantes | quantité par variante |  |  |  |  | jeu<br>de<br>réparation |     |  |  |
|-----------------------|------------------|----------------------|----------------------------------|-----------------------|--|--|--|--|-------------------------|-----|--|--|
|                       |                  |                      |                                  | 324                   |  |  |  |  |                         |     |  |  |
| <b>Robinet à main</b> |                  | <b>961 722 ... 0</b> |                                  | 324                   |  |  |  |  |                         |     |  |  |
| Jeu de réparation     |                  | 961 722 003 2        |                                  | X                     |  |  |  |  |                         | 003 |  |  |
| Ressort               | 45               | NTS                  | 1                                |                       |  |  |  |  |                         | 1   |  |  |
| Poussoir              | 46               | -                    | 1                                |                       |  |  |  |  |                         |     |  |  |