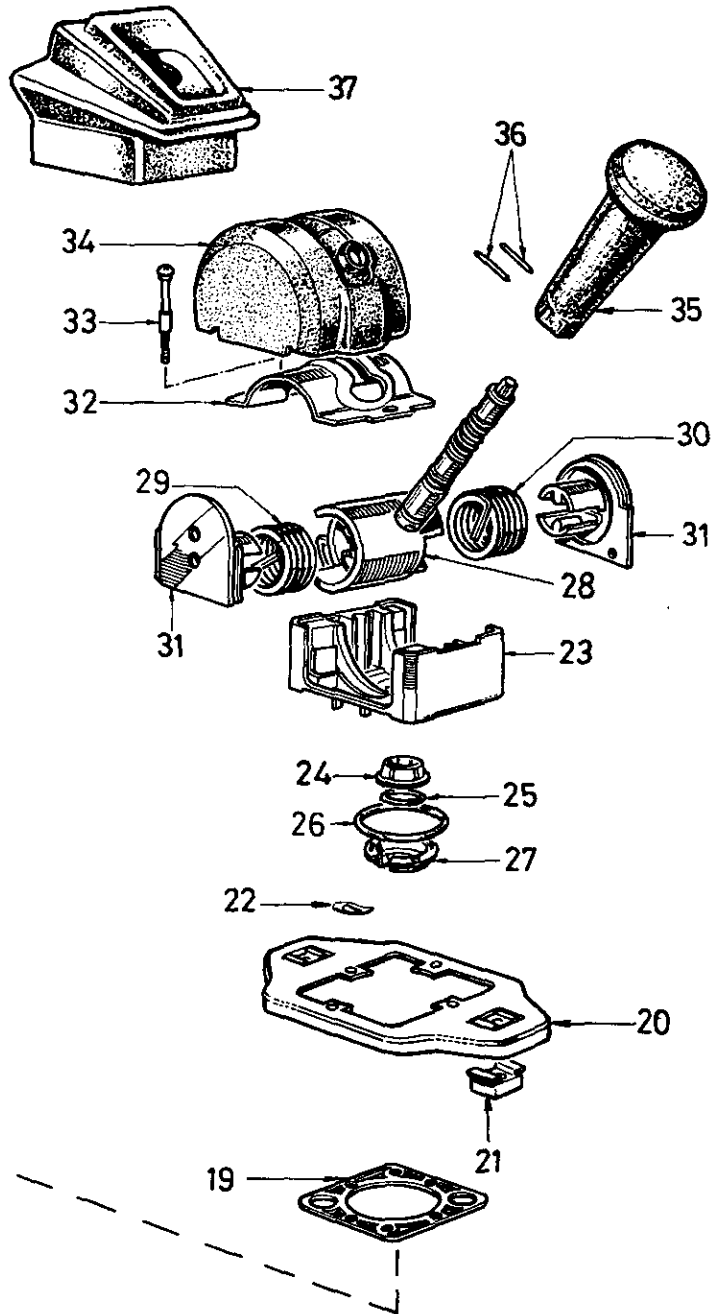
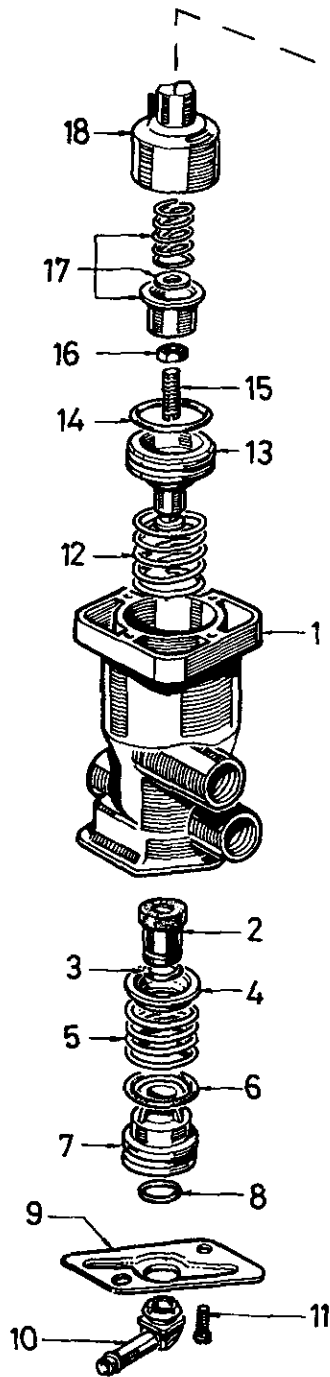


# Handbremsventil

Hand operated brake valve

961 722

WABCO West 1/  
RHF 1  
siehe Schmiermittel- Übersicht  
refer to table of Lubricants



# Handbremsventil

# 961 722

Hand operated brake valve

a Zu verwenden nach Bedarf.  
a to be used as required as occasion demands.  
(...) Teil nicht gezeichnet.  
(...) Part not shown.

\*\*\* Teil ist nicht im Rep.-Satz enthalten.  
Es ist gesondert zu bestellen.  
\*\*\* This part is not included in the repair kit  
and is to be ordered separately.

\* Bei Reparaturen sollten diese Teile ersetzt werden.  
\* At repairs these parts should be replaced.  
\*\* Hierzu siehe Ersatzteilblatt unter dieser Geräteummer.  
\*\* See spare parts list with this part number.

| Benennung<br>name of part | Position<br>ref. no. | Bestellnummer<br>part number | für alle Abwandlgn.<br>for all variations | Stückzahl je Abwandlg.<br>quantity per variation |     |            |     |     | Reparatursatz<br>repair kit |     |
|---------------------------|----------------------|------------------------------|---|--|-----|------------|-----|-----|-----------------------------|-----|
|                           |                      |                              |   | 150  | 151 | 152<br>172 | 155 | 156 |                             |     |
| HANDBREMSVENTIL           |                      | 961 722 ... 0                |   |  |     |            |     |     |                             |     |
| Reparatursatz             |                      | 961 722 002 2                |   | x  | x   | x          |     | x   | 002                         |     |
|                           |                      | 961 722 006 2                |   |  |     |            | x   |     |                             | 006 |
| Gehäuse                   | 1                    | -                            | 1   |  |     |            |     |     |                             |     |
| Ventil                    | 2*                   | 961 722 501 2                | 1   |  |     |            |     |     | 1                           | 1   |
| O-Ring 8,9x1,9            | 3*                   | 897 086 670 4                | 1   |  |     |            |     |     | 1                           | 1   |
| Kappe                     | 4                    | -                            | 1   |  |     |            |     |     | 1                           | 1   |
| Druckfeder                | 5                    | -                            | 1   |  |     |            |     |     | 1                           | 1   |
| O-Ring 24,0x2,0           | 6*                   | 897 786 680 4                | 1   |  |     |            |     |     | 1                           | 1   |
| Ventilführung             | 7                    | -                            | 1   |  |     |            |     |     |                             |     |
| O-Ring 15,1x2,7           | 8*                   | 897 080 610 4                | 1   | 1  | 1   | 1          | 1   |     | 1                           | 1   |
| Blech                     | 9                    | -                            | 1   |  |     |            |     |     |                             |     |
| Entlüftungsstück          | 10                   | 961 722 220 4                | 1   | 1  | 1   | 1          | 1   |     |                             |     |
| Senkschraube              | 11                   | -                            | 2   |  |     |            |     |     |                             |     |
| Druckfeder                | 12                   | -                            | 1   |  |     |            |     |     | 1                           | 1   |
| Kolben                    | 13                   | -                            | 1   |  |     |            |     |     |                             |     |
| O-Ring 24,6x3,6           | 14*                  | 897 085 899 4                | 1   |  |     |            |     |     | 1                           | 1   |
| Gewindestift              | 15                   | -                            | 1   |  |     |            |     |     |                             |     |
| Mutter                    | 16                   | -                            | 1   |  |     |            |     |     |                             |     |
| Druckfedereinsatz         | 17                   | 896 510 810 2                | 1   |  |     |            |     |     |                             |     |
| Kolben                    | 18                   | -                            | 1   |  |     |            |     |     |                             |     |
| Dichtung                  | 19*                  | 897 313 080 4                |   | 1  |     |            |     |     | 1                           |     |
| Blech                     | 20                   | -                            |   | 1  |     |            |     |     |                             |     |
| Blech                     | 20                   | -                            |   |  | 1   |            |     |     |                             |     |
| Blech                     | 20                   | -                            |   |  |     | 1          | 1   |     |                             |     |
| Blech                     | 20                   | -                            |   |  |     |            |     | 1   |                             |     |
| Mutter                    | 21                   | -                            |   | 2  |     |            |     |     |                             |     |
| Mutter                    | 21                   | -                            |   |  |     |            |     | 2   |                             |     |
| Federscheibe              | 22                   | -                            | 2   |  |     |            |     |     |                             |     |
| Deckel                    | 23                   | -                            | 1   |  |     |            |     |     |                             |     |
| Lager                     | 24                   | -                            | 1   |  |     |            |     |     |                             |     |
| O-Ring 12,1x2,7           | 25*                  | 897 085 620 4                | 1   |  |     |            |     |     | 1                           | 1   |
| O-Ring 24,6x3,6           | 26*                  | 897 085 899 4                | 1   |  |     |            |     |     | 1                           | 1   |
| Ring                      | 27                   | -                            | 1   |  |     |            |     |     |                             |     |
| Hebel                     | 28                   | 961 901 070 2                |   | 1  | 1   | 1          |     | 1   |                             |     |
| Hebel                     | 28                   | 961 901 071 2                |   |  |     |            | 1   |     |                             |     |
| Drehfeder                 | 29                   | -                            |   | 1  | 1   | 1          |     | 1   | 1                           |     |
| Drehfeder                 | 29                   | -                            |   |  |     |            | 1   |     |                             | 1   |
| Drehfeder                 | 30                   | -                            |   | 1  | 1   | 1          |     | 1   | 1                           |     |
| Drehfeder                 | 30                   | -                            |   |  |     |            | 1   |     |                             | 1   |
| Halterung                 | 31                   | -                            | 2   |  |     |            |     |     |                             |     |
| Abdeckblech               | 32                   | -                            |   | 1  | 1   | 1          |     | 1   |                             |     |
| Abdeckblech               | 32                   | -                            |   |  |     |            | 1   |     |                             |     |
| Schraube                  | 33                   | -                            | 2   |  |     |            |     |     |                             |     |
| Haube                     | 34                   | 961 722 452 2                |   |  | 1   | 1          | 1   | 1   |                             |     |
| Handgriff                 | 35                   | 961 722 794 2                | 1   |  |     |            |     |     |                             |     |
| Nadel                     | 36                   | 895 410 020 4                | 2   |  |     |            |     |     | 2                           | 2   |
| Faltenbalg                | 37*                  | 897 754 190 4                |   | 1  |     |            |     |     |                             |     |

Änderungen bleiben vorbehalten  
The right of amendment is reserved

# 08

# WABCO

961 722 918 3

Ausgabe 05.89