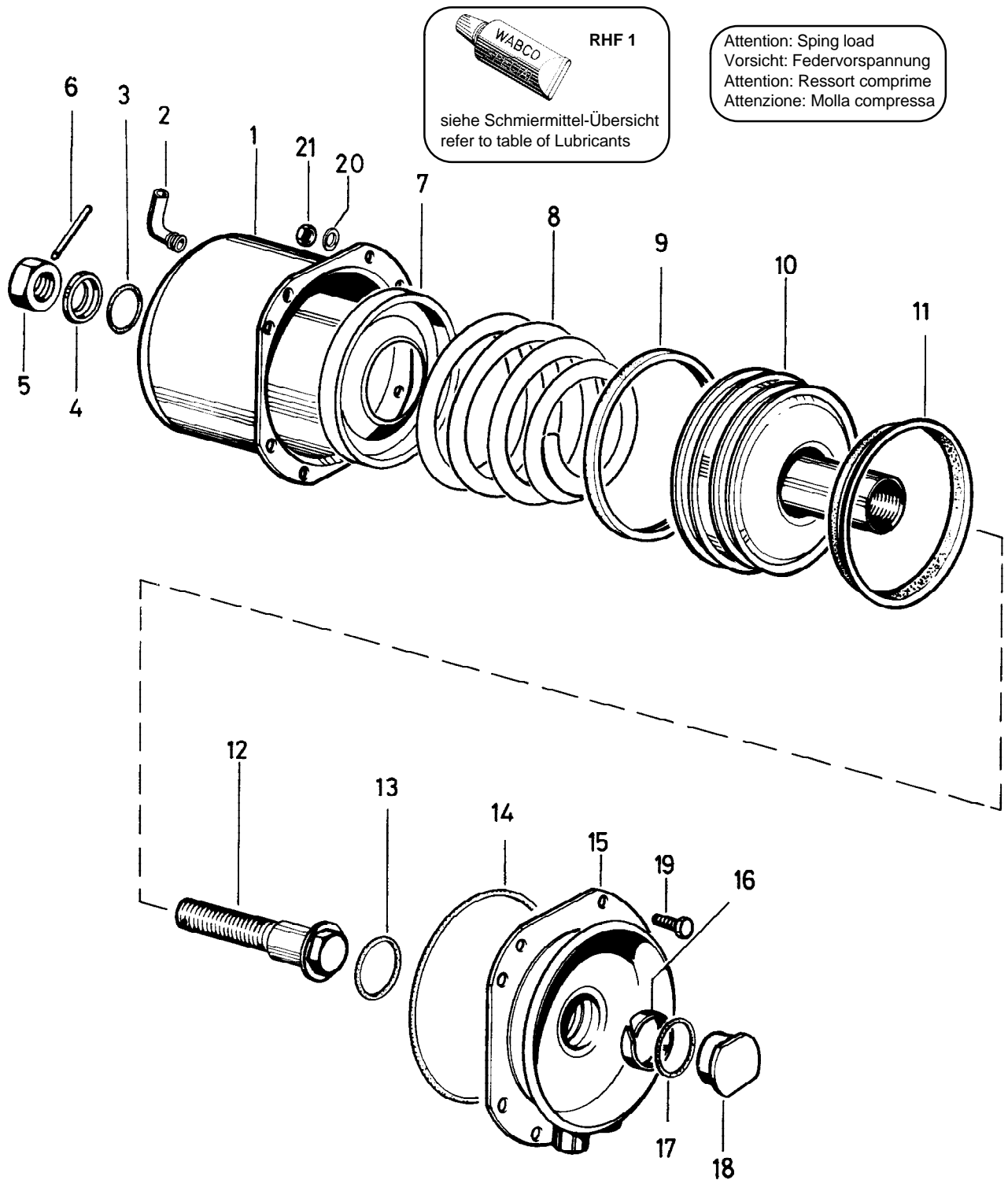


Federspeicherzylinder

Sping brake cylinder

925 321



Federspeicherzylinder

925 321

Spring brake cylinder

a Zu ve wenden nach beca
a to be used as required as occasion demands.
(...) Teil nicht gezeichnet.
(...) Part not shown.

... le s n ch m Kep Sa z en na en
Es ist gesondert zu bestellen.
*** This part is not included in the repair kit
and is to be ordered separately.

Be Kapa u en so en a ese le e e sez we den
At repairs these parts should be replaced.
** Hierzu siehe Ersatzteilblatt unter dieser Geräteummer.
** See spare parts list with this part number.

| Benennung name of part | Position ref. no. | Bestellnummer part number | für alle Abwandlgn. for all variations | Stückzahl je Abwandlg. quantity per variation | | | | | Reparaturatz repair kit | |
|--|----------------------|--|---|--|-----|-----|-----|-----|----------------------------|-----|
| | | | | 955 | 966 | 977 | 978 | 979 | 002 | 001 |
| FEDERSPEICHERZYLINDER | | 925 321 ... 1 | | | | | | | | |
| Reparaturatz | | 925 <u>325</u> 002 2 925 <u>320</u> 001 2 | | | x | x | x | x | 002 | 001 |
| Zylinder | 1 | - | | 1 | | | | 1 | | |
| Zylinder | 1 | - | | | 1 | | | | | |
| Zylinder | 1 | - | | | | 1 | | | | |
| Zylinder | 1 | - | | | | | 1 | | | |
| Schlauchstutzen | 2* | 893 121 940 4 | 1 | | | | | | 1 | 1 |
| O-Ring 15,0x2,0 | 3* | - | 1 | | | | | | 1 | 1 |
| Druckring | 4* | - | 1 | | | | | | 1 | 1 |
| Sechskantmutter M 16x1,5 DIN 934-8-Zn | 5 | - | 1 | | | | | | | |
| Zylinderkerbstift 5x22 DIN 1473-phos. | 6 | - | 1 | | | | | | | 1 |
| Schutzhülle | 7* | 897 753 740 4 | 1 | | | | | | 1 | 1 |
| Druckfeder | 8 | 896 047 182 4 | | 1 | | | | | | |
| Druckfeder | 8 | 896 047 361 4 | | | 1 | 1 | | | | |
| Druckfeder | 8 | 896 047 180 4 | | | | | 1 | | | |
| Druckfeder | 8 | 896 036 956 4 | | | | | | 1 | | |
| Führungsring | 9* | - | | 1 | | | 1 | 1 | | 1 |
| Führungsring | 9* | - | | | 1 | 1 | | | 1 | |
| Kolben | 10 | - | | 1 | | | | | | |
| Kolben | 10 | - | | | 1 | 1 | | | | |
| Kolben | 10 | - | | | | | 1 | | | |
| Kolben | 10 | - | | | | | | 1 | | |
| Nutring | 11* | 897 161 573 4 | | 1 | | | | | | |
| Nutring | 11* | - | | | 1 | 1 | | | 1 | |
| Nutring | 11* | - | | | | | 1 | 1 | | 1 |
| Sechskantschraube | 12 | 891 320 286 2 | | 1 | | | | | | |
| Sechskantschraube | 12 | 891 320 340 4 | | | 1 | 1 | | | | |
| Sechskantschraube | 12 | 891 320 341 4 | | | | | 1 | | | |
| Sechskantschraube | 12 | 891 320 280 4 | | | | | | 1 | | |
| O-Ring 35,0x5,0 | 13* | 897 073 078 4 | | 1 | | | | | | |
| O-Ring 35,0x5,0 | 13* | - | | | 1 | 1 | 1 | 1 | 1 | 1 |
| O-Ring 155,0x4,5 | 14* | - | | 1 | | | 1 | 1 | | 1 |
| O-Ring 144,0x4,5 | 14* | - | | | 1 | 1 | | | 1 | |
| Flansch | 15 | 925 301 602 4 | | 1 | | | 1 | 1 | | |
| Flansch | 15 | 925 321 601 4 | | | 1 | 1 | | | | |
| Führungsring | 16* | - | 1 | | | | | | 1 | 1 |
| O-Ring 24,0x3,0 | 17* | - | | 1 | | | | 1 | 1 | 1 |
| O-Ring 27,3x2,4 | 17* | - | | | 1 | 1 | 1 | | 1 | 1 |
| Verschlußschraube | 18 | - | | 1 | 1 | 1 | 1 | | | |
| Kappe | 18 | - | | | | | | 1 | | |
| Sechskantschraube M 8x20 DIN 933-8.8-Zn | 19 | - | 8 | | | | | | | |
| Scheibe 8,4 DIN 433-St-Zn | 20 | - | | | | 8 | 8 | | | |
| Sechskantmutter M8 DIN 934-8-Zn | 21 | - | 8 | | | | | | | |

Änderungen bleiben vorbehalten
The right of amendment is reserved

E 22

WABCO

925 321 938 3 Ausgabe 02.94