

Shut-off valve 964 001



Application

Vehicles with special equipment for dropping swap-trailers.

Purpose

Stroke limit on vehicles with lift equipment.

Maintenance

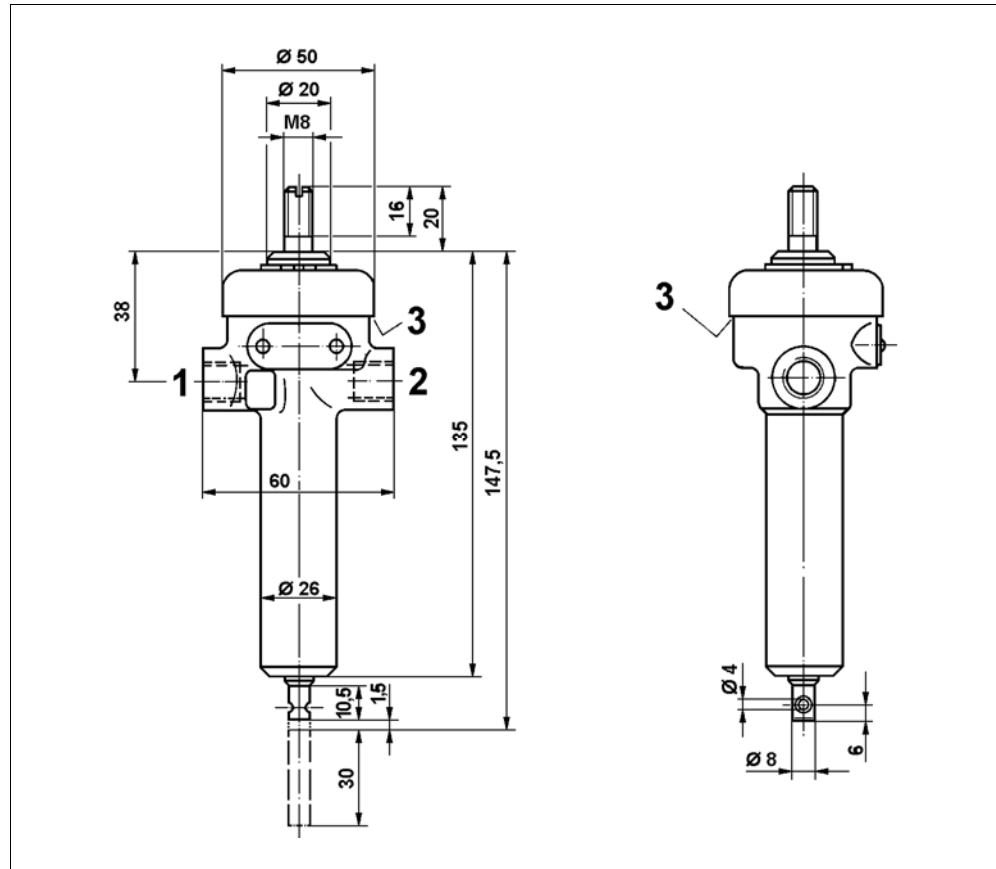
Special maintenance that extends beyond the legally specified inspections is not required.

Installation recommendation

- Install the shut-off valve so that the fastening bolts are only stressed in the longitudinal direction.

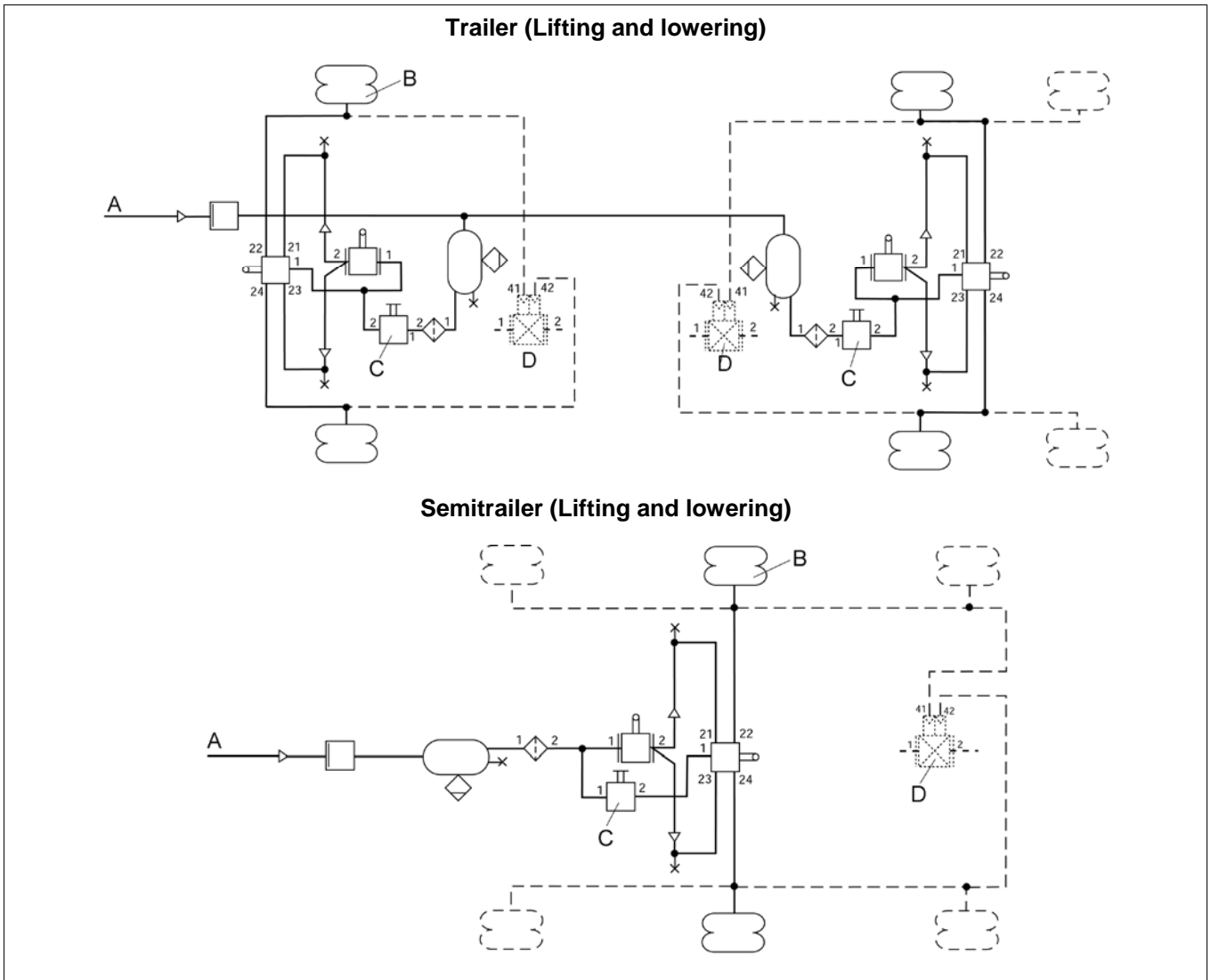
Shut-off valve 964 001

Installation dimensions



Shut-off valve 964 001

Schematic for installation



Legend

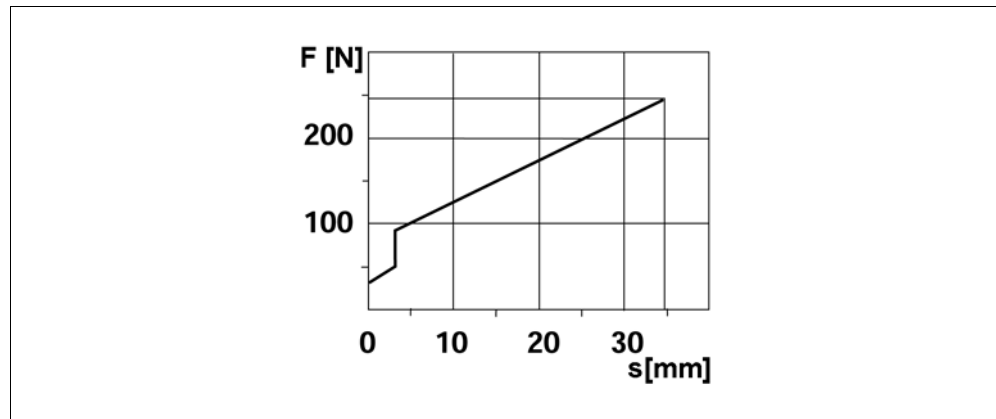
A Supply, from the service brake system **B** Air suspension bellows **C** Non-return valve **D** SLV controller

Technical data

Order number	964 001 002 0
Max. operating pressure	12 bar
Nominal diameter	7 mm
Permissible medium	Air
Operating temperature range	-40 °C to +80 °C
Weight	0.4 kg

Shut-off valve 964 001

Diagram

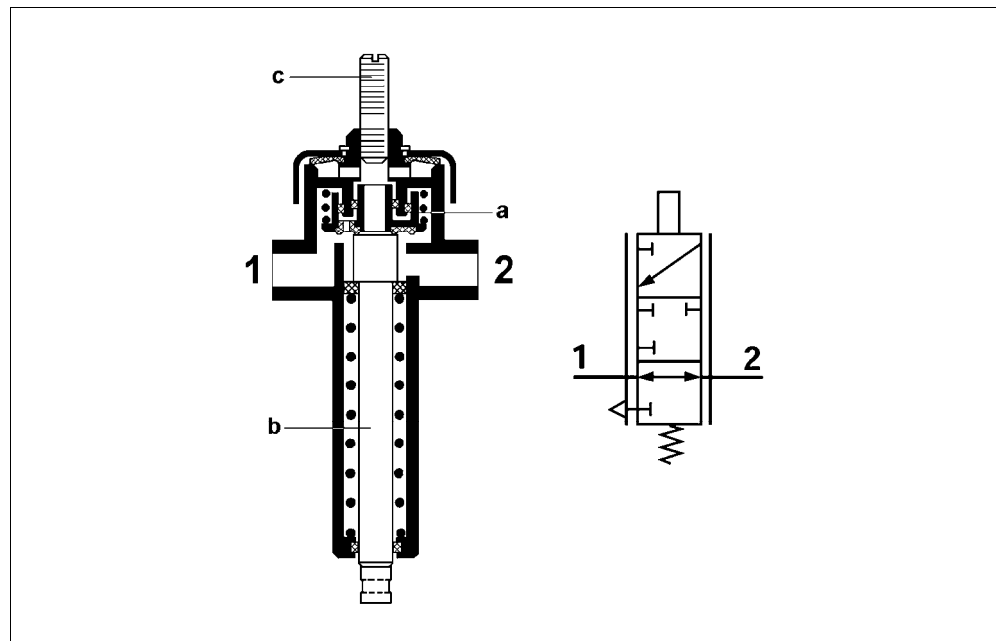


Legend

F Actuating force

s Tappet travel

Operation



The shut-off valve is fastened to the vehicle frame with bolts (c). The tappet (b) is connected with the axle with a steel cable.

If the distance between the frame and the axle is increased more than a certain amount when lifting the frame via the rotary slide valve, the tappet (b) is pulled downward. The valve (a) follows and closes the opening from connection 1 to connection 2. When the tappet (b) is pulled out further, connection 2 is vented.

After lowering the chassis, the tappet (b) moves back to its original position and the valve (a) frees the opening again.