

3/2-way valve 463 036



Application

Multiple applications in compressed air systems. Switching connected devices on and off manually.

Purpose

Alternating the connections for operational lines (devices) with the pressure line or the venting line, whereby the valve is seated in both positions.

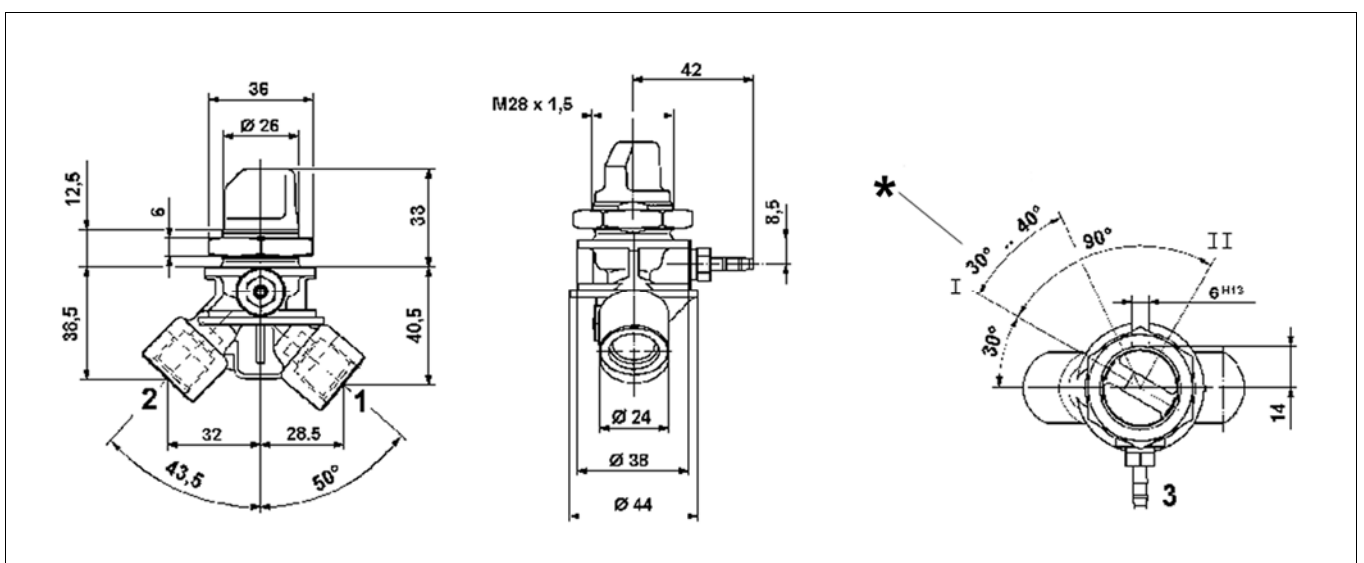
Maintenance

Special maintenance that extends beyond the legally specified inspections is not required.

Installation recommendation

- Install the 3/2-way valve in the pipe line system so that the vent 3 points downward.
- Fasten the 3/2-way valve on a console (hole $\varnothing 28$) with counternut M 28x1.5.

Installation dimensions



Connections

1 Energy supply

2 Energy delivery

3 Exhaust

Legend

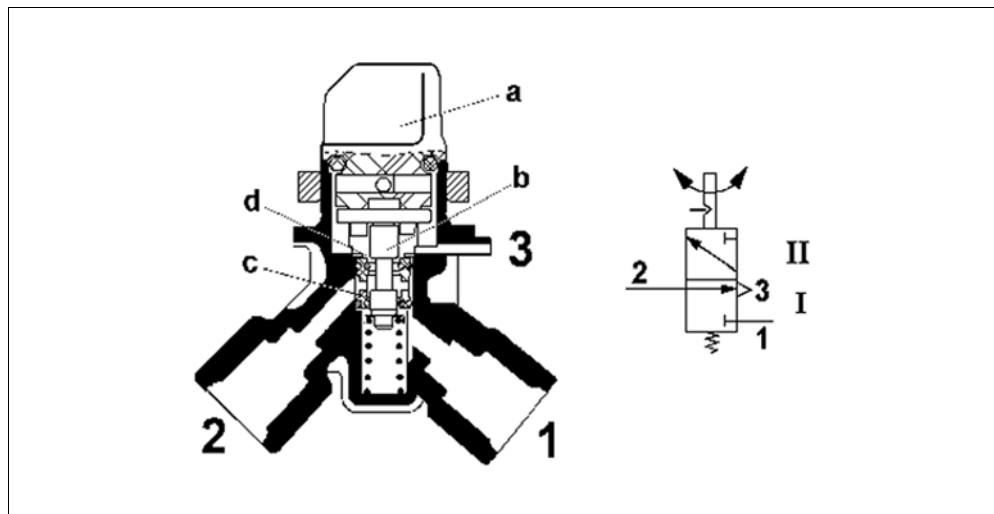
* Ventilation begin

3/2-way valve 463 036

Technical data

Order number	463 036 016 0
Max. operating pressure	10 bar
Port threads	M 16x1.5 - 12 deep for VOSS-plug connection
Nominal diameter	4 mm
Permissible medium	Air
Operating temperature range	-40 °C to +80 °C
Weight	0.25 kg

Operation



When actuating the rotary knob (a) in the rotational direction, the piston (b) is moved down over a cam. Outlet (b) closes, inlet (c) opens and the compressed air present at port 1 flows to the operating line via port 2. When resetting the rotary knob (a) to its original position, the piston (b) is moved back into its original position because of the force of the compression spring. The inlet (c) closes and the operating line is ventilated via outlet (b) and connection 3.