

Shut-off cock with venting 452 002 / 952 002



Application

Multiple applications in compressed air systems.

Purpose

Shutting off compressed air lines.

Maintenance

Special maintenance that extends beyond the legally specified inspections is not required.

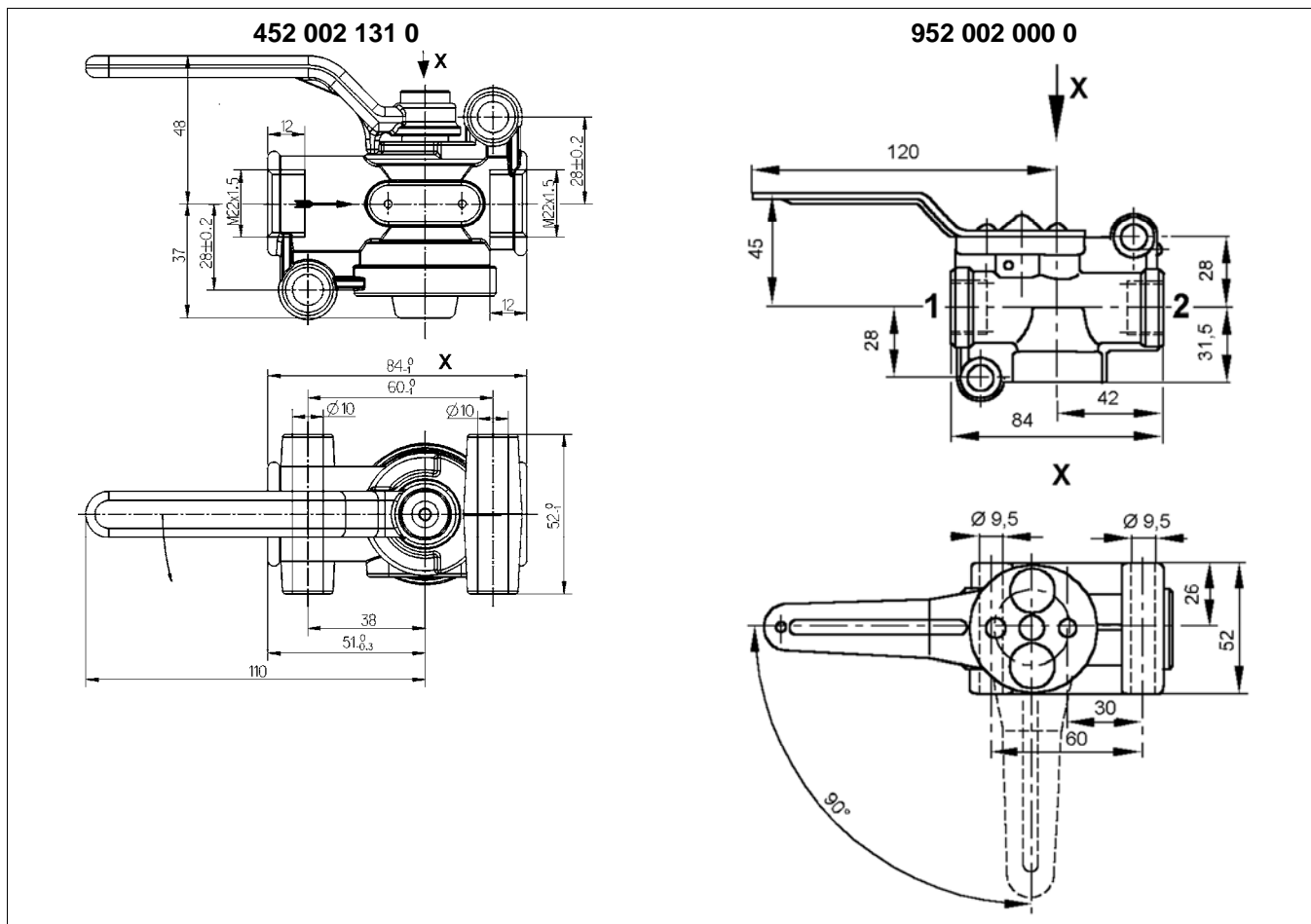
Installation recommendation

- Fasten the shut-off cock with two M8 bolts.

! Make sure of the flow direction (arrow direction) when installing and that there is sufficient room for actuating the lever.

Shut-off cock with venting 452 002 / 952 002

Installation dimensions



Legend

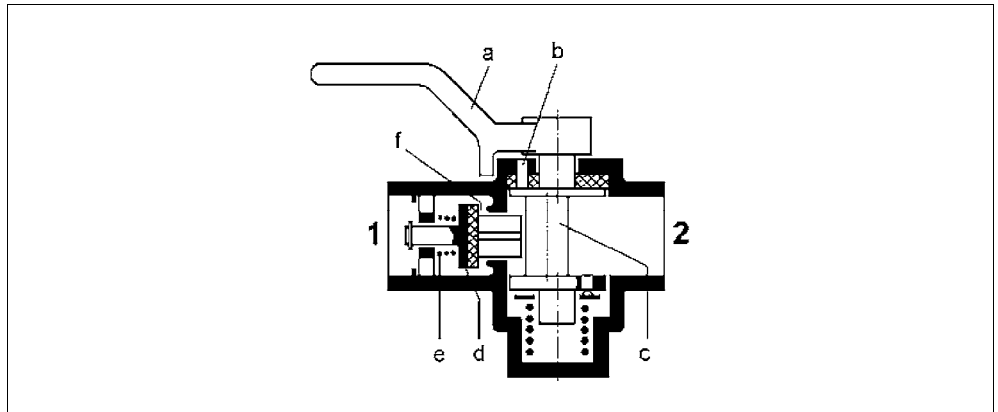
View X

Technical data

Order number	452 002 131 0	452 002 132 0	452 002 133 0	952 002 000 0
Max. operating pressure	10 bar			
Port threads	M 22x1.5 - 12 deep			
Lever actuation a/b	90°			
Permissible medium	Air			
Operating temperature range	-40 °C to +80 °C			
Weight	0,26 kg	0,26 kg	0,26 kg	0.58 kg

Shut-off Cock	90° left	0°	90° right
452 002 131 0	Closed	open	Closed
452 002 132 0	Vented	Pressurized	Vented
452 002 133 0	Closed	Pressurized	Vented
952 002 000 0	Closed	open	Closed

Operation



Connections

1 Energy supply

2 Energy delivery

In the position of the lever (a) parallel to the longitudinal axis of the shut-off cock presses the eccentric shaft (c) of valve (d) against the compression spring (e) to the left. The compressed air is routed unreduced from connection 1 through the inlet (f) into the line going from connection 2.

If the lever (a) is turned 90° to the stop, the compression spring (e) moves the valve (d) to the right and the inlet (f) is closed. The line going from connection 2 is vented via the outlet bore hole (b).