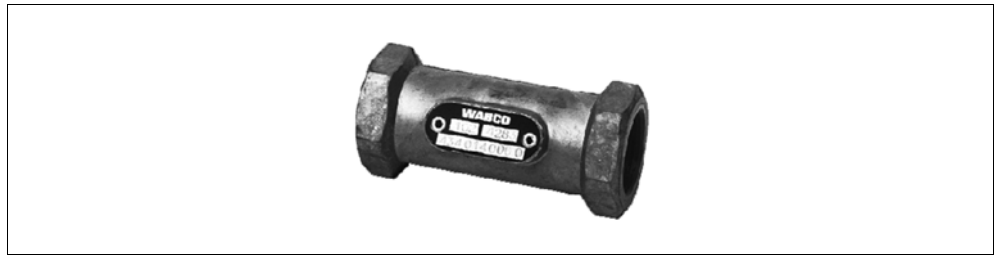


Check valve 434 014



Application

For multiple applications in compressed air systems.

Purpose

To protect the pressurized lines against unintentional venting.

Maintenance

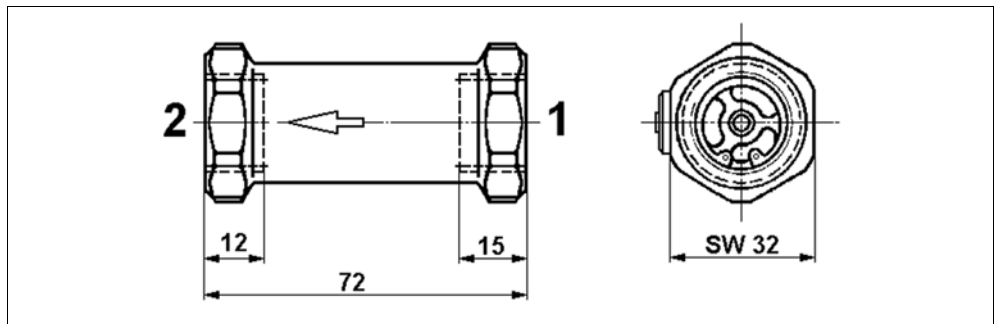
Special maintenance that extends beyond the legally specified inspections is not required.

Installation recommendation

- Install the valve anywhere within the flow of the pipe lines.

! Pay attention to the arrow on the housing that shows the direction of flow during the installation.

Installation dimensions

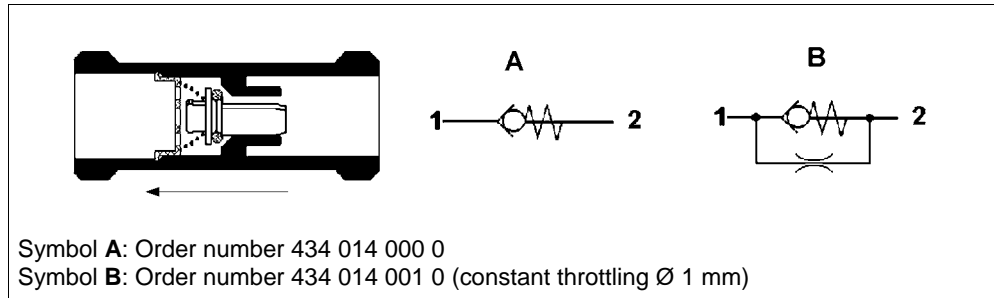


Technical data

Order numbers	434 014 000 0	434 014 001 0
Max. operating pressure	20 bar	
Nominal diameter	Ø 8 mm	
Port threads	M 22x1.5	
Permissible medium	Air	
Operating temperature range	-40 °C to +80 °C	
Weight	0.17 kg	
Comment	–	Constant throttling Ø 1 mm

Check valve 434 014

Operation



Air can only pass in the direction indicated by the arrow.

Return flow of the air is prevented by the check valve closing the inlet in the event of a drop in pressure in the supply line.

When the pressure rises in the supply line, the spring-loaded check valve again opens the passage which results in an equalisation of pressure.