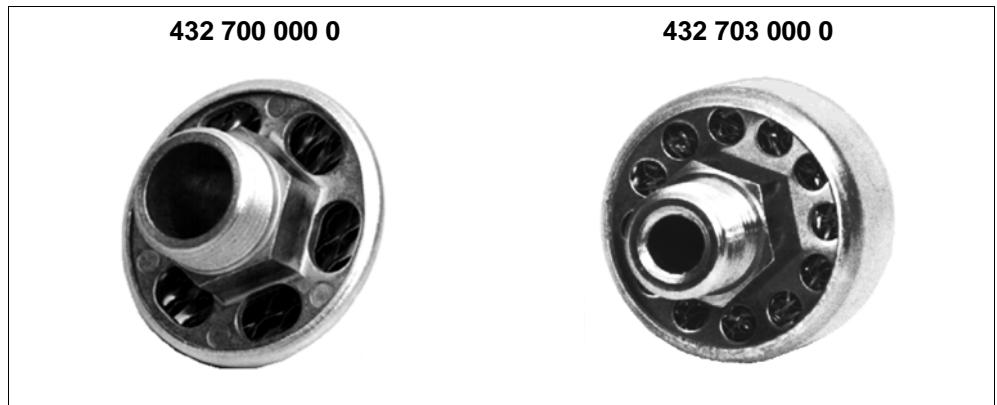


Exhaust filter 432 70.

Exhaust filter 432 70.



Application

Installation in the exhaust opening of compressed air actuated brake and control devices.

Purpose

Damping exhaust noise.

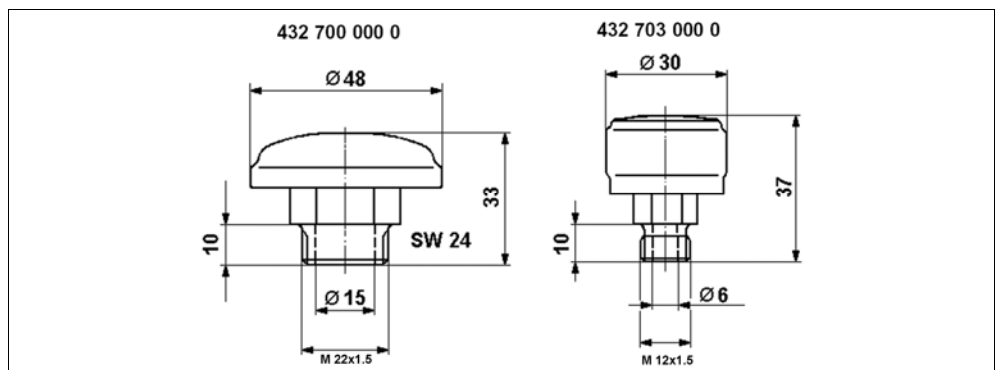
Maintenance

Special maintenance that extends beyond the legally specified inspections is not required.

Installation recommendation

- Install the exhaust filter in an optional location.
Sufficient space for mounting/dismounting on the compressed air device.

Installation dimensions

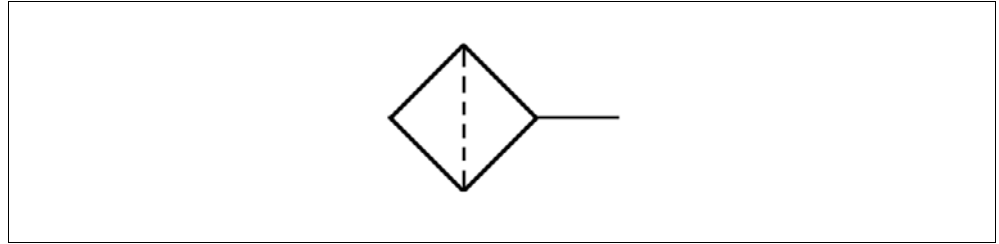


Technical data

Order number	432 700 000 0	432 703 000 0
Port threads	M 22x1.5	M 12x1.5
Permissible medium	Air	
Operating temperature range	-40 °C to +125 °C	-40 °C to +120 °C
Weight	0.03 kg	0.02 kg

Exhaust filter 432 70.

Operation



Changing the method of flow by using damping material.