

# MAINTENANCE OF WABCO AIR DISC BRAKES

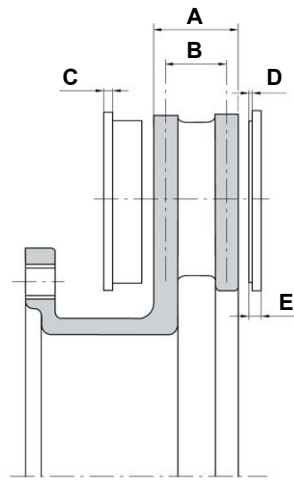
## 1 IDENTIFY YOUR BRAKE



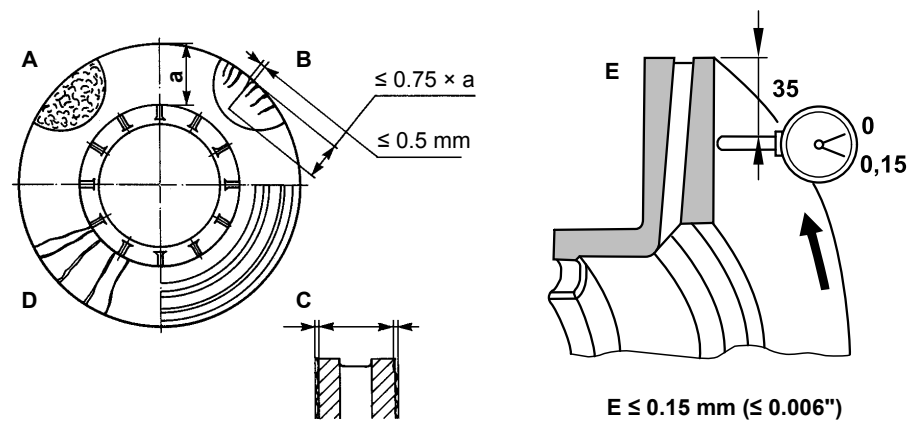
## 2 DETECT WEAR OUTS

### Wear limits

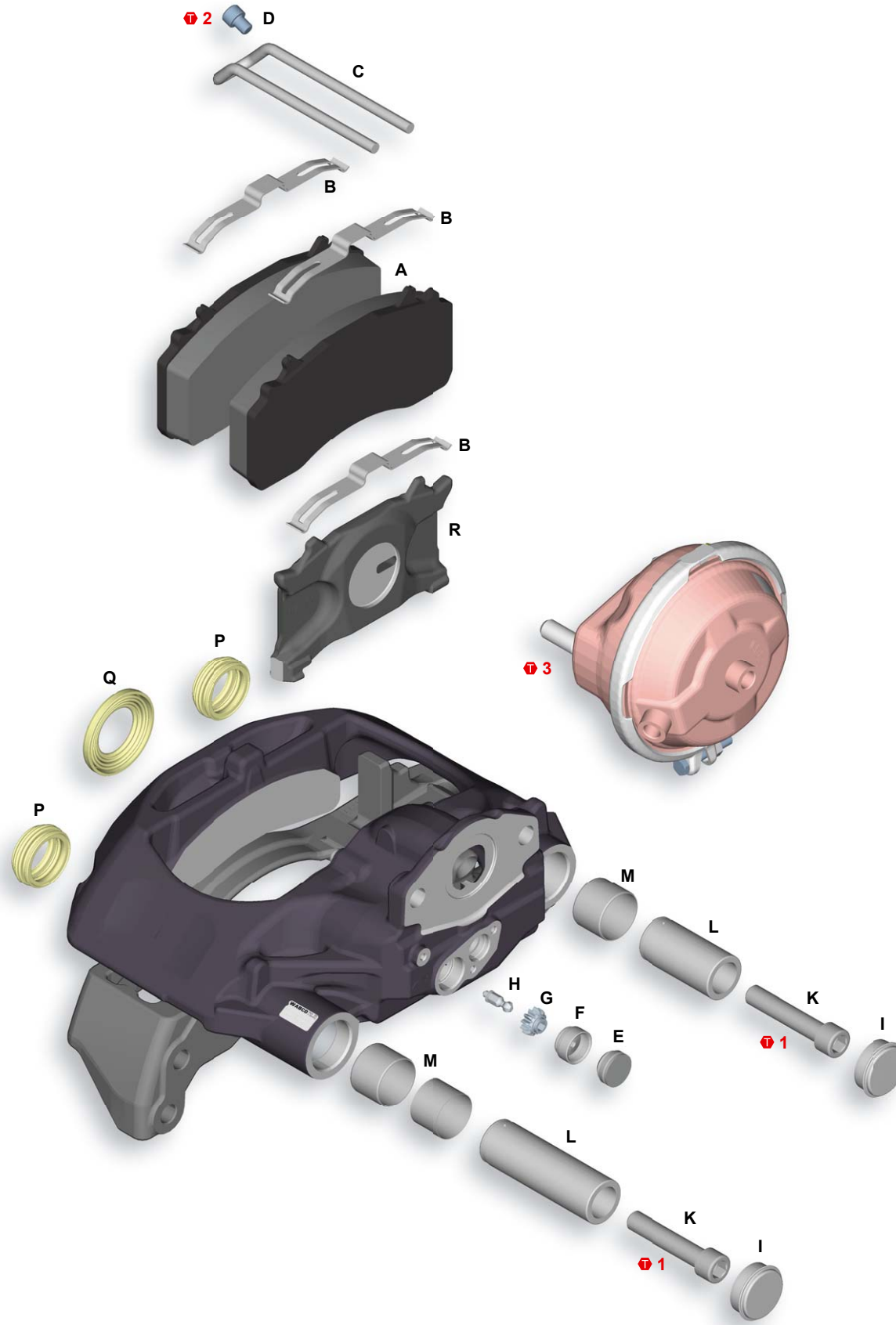
Pos.	PAN™17		PAN™19, PAN™22, MAXXUS™	
	mm	inch	mm	inch
A	34	1.34	45	1.77
B	28	1.10	37	1.46
C	7	0.28	9	0.35
D	2	0.08	2	0.08
E	9	0.35	11	0.43



### Check disc



Pos.	Description	Comment
a	Width rubbing surface	
A	Crazing	permissible
B	Radial cracks, width $\leq 0.5 \text{ mm } (\leq 0.020")$	permissible
C	Unevenness $\leq 1.5 \text{ mm } (\leq 0.059")$	permissible
D	Cracks across rubbing surface	not permissible
E	Disc runout $\leq 0.15 \text{ mm } (\leq 0.006")$	permissible



## 3 USE REPAIR KITS

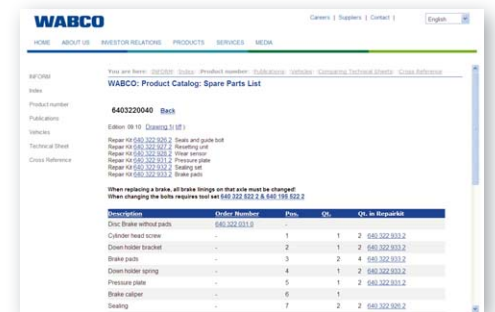
Pos.	Kit name	Repair
A – E	Pads	per axle
E – H	Adjuster	per brake
I – M, E, P, Q	Guide bolts & seals (tool box required)	per brake
R	Pressure plate	per axle
E, Q	Seal kit	per brake

### Pad kit guide

Application	Brake	Pad kit number
Trailer	PAN™17	12 999 806
Trailer	PAN™19	12 999 737VT
Trailer Hendrickson, Meritor	PAN™22	640 225 922
Trailer AXN, IMT, Reyco Granning, Ridewell	PAN™22	12 999 796
Truck / Tractor	MAXXUS™	640 322 934 2

## 4 FIND REPAIR KIT

- Open INFORM on [www.wabco-auto.com](http://www.wabco-auto.com)
- Enter product number of brake caliper
- Click repair radio button
- Open spare part sheet



## 5 ASSEMBLE USING CORRECT TORQUE

Pos.	PAN™17	PAN™19, PAN™22, MAXXUS™
1	130 ±10 Nm + 90° ±5° 1,151 ±89 lbf in + 90° ±5°	130 ±10 Nm + 90° ±5° 1,151 ±89 lbf in + 90° ±5°
2	20 ±2 Nm 177 ±18 lbf in	30 +15 Nm 266 +133 lbf in
3	Observe the instructions of the brake cylinder manufacturer. WABCO: 210 –30 Nm / 1,859 –266 lbf in	

## 6 ADJUST CLEARANCE

1.2 mm (0.047") air gap between pad and disc



[www.wabco-auto.com](http://www.wabco-auto.com)  
 WABCO North America: (855) 228-3203

