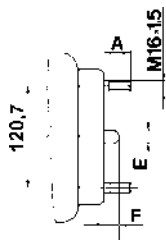


**Zweck und Einbauanleitung:**  
Siehe 925 320

**Purpose and Installation Requirement:**  
See 925 320

**Erläuterungen / Explanations:**

**Abmaße / Dimensions:**



**Technische Daten / Technical Data:**

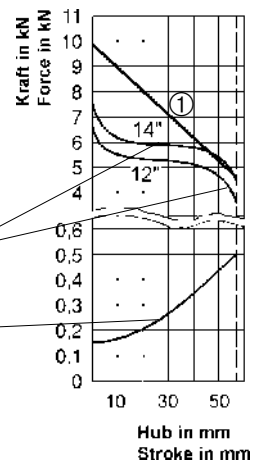
|   |   |       |
|---|---|-------|
| Type  | siehe Tabelle<br>see table                      |       |
| Betriebsdruck<br>Operating Pressure                         | siehe Tabelle<br>see table                      |       |
| Zulässiges Medium<br>Permissible Medium                     | Luft / air                                      |       |
| Therm. Anwendungsbereich<br>Operating temperature range     | -40°C bis/to +80°C                              |       |
| Gesamthub<br>Overall stroke                                 | Membranzyylinder<br>Brake chamber               | 57 mm |
|   | Federspeicherzyylinder<br>Spring brake actuator | 57 mm |
| Druckstangenauslenkung<br>Piston rod deflection             | allseitig max. 4°<br>4° max. all round          |       |
| Gewinde der Leitungsanschlüsse<br>Thread of pipe connection | M 22x1,5 Voss                                   |       |

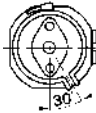
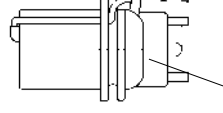
**Charakteristik / Characteristic:**

① - ② = Kraftabgabe des Federspeichers  
Output force of spring brake

Kraftabgabe der Betriebsbremse  
Output force of service brake  
bei/at 7,2 bar

Rückstellfederkraft des Betriebs  
bremsteiles  
Force of return spring of service  
brake part



| Lage der Anschlüsse<br>Position of ports  |   |
|---|---|
|  |  |
| 14/24   | 1 St 5,5 S 57/57 10/8,5   |

Bei dieser Ansicht können Details versetzt dargestellt sein.  
Details can be shown out of plane at this view.

Betriebsdruck: Membranzyylinder / Federspeicherzyylinder  
Oper. pressure: Brake chamber / Spring brake actuator

Hub: Membranzyylinder / Stroke: Brake chamber  
Hub: Federspeicherzyylinder / Stroke: Spring brake actuator

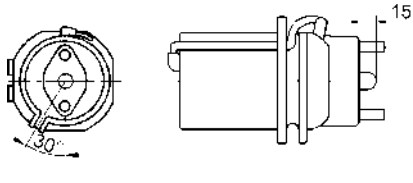
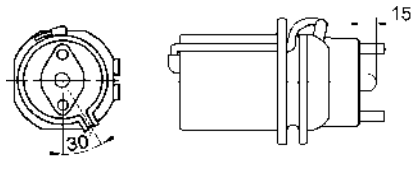
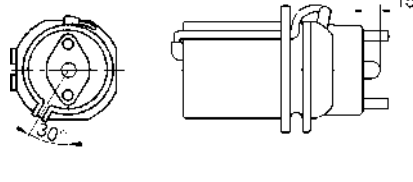
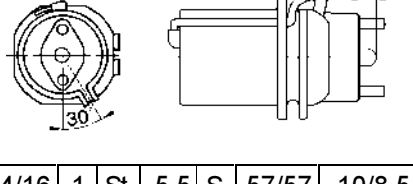
Abdichtung der Kolbenstange F = Faltenbalg / gaiter  
Seal of piston rod S = Scheibe / disk  
- = ohne / without

Lösedruck Federspeicher bei / Release pressure spring brake at

Material: Federspeicherteil (St= Stahl Al= Aluminium)  
Material: Spring brake part (St= steel Al= aluminium)

Charakteristik / Characteristic

Type (Membranzyylinder / Federspeicherzyylinder)

| Bestellnummer<br>Part Number               | Lage der Anschlüsse<br>Position of ports   |       |     |    |       |        |       |        |  |
|--|--|-------|-----|----|-------|--------|-------|--------|--|
| 925 426 100 0<br>A= 38<br>E= Ø 16<br>F= 15 | <br><div style="display: flex; border-collapse: collapse;"> <table border="1" style="border: none;"> <tr> <td style="border: none;">12/16</td> <td style="border: none;">1</td> <td style="border: none;">St</td> <td style="border: none;">5,5</td> <td style="border: none;">S</td> <td style="border: none;">57/57</td> <td style="border: none;">10/8,5</td> </tr> </table> </div>  | 12/16 | 1   | St | 5,5   | S      | 57/57 | 10/8,5 |  |
| 12/16                                      | 1  | St    | 5,5 | S  | 57/57 | 10/8,5 |       |        |  |
| 925 426 101 0<br>A= 38<br>E= Ø 16<br>F= 15 | <br><div style="display: flex; border-collapse: collapse;"> <table border="1" style="border: none;"> <tr> <td style="border: none;">12/16</td> <td style="border: none;">1</td> <td style="border: none;">St</td> <td style="border: none;">5,5</td> <td style="border: none;">S</td> <td style="border: none;">57/57</td> <td style="border: none;">10/8,5</td> </tr> </table> </div>  | 12/16 | 1   | St | 5,5   | S      | 57/57 | 10/8,5 |  |
| 12/16                                      | 1  | St    | 5,5 | S  | 57/57 | 10/8,5 |       |        |  |
| 925 426 200 0<br>A= 38<br>E= Ø 16<br>F= 15 | <br><div style="display: flex; border-collapse: collapse;"> <table border="1" style="border: none;"> <tr> <td style="border: none;">14/16</td> <td style="border: none;">1</td> <td style="border: none;">St</td> <td style="border: none;">5,5</td> <td style="border: none;">S</td> <td style="border: none;">57/57</td> <td style="border: none;">10/8,5</td> </tr> </table> </div>   | 14/16 | 1   | St | 5,5   | S      | 57/57 | 10/8,5 |  |
| 14/16                                      | 1  | St    | 5,5 | S  | 57/57 | 10/8,5 |       |        |  |
| 925 426 201 0<br>A= 38<br>E= Ø 16<br>F= 15 | <br><div style="display: flex; border-collapse: collapse;"> <table border="1" style="border: none;"> <tr> <td style="border: none;">14/16</td> <td style="border: none;">1</td> <td style="border: none;">St</td> <td style="border: none;">5,5</td> <td style="border: none;">S</td> <td style="border: none;">57/57</td> <td style="border: none;">10/8,5</td> </tr> </table> </div>  | 14/16 | 1   | St | 5,5   | S      | 57/57 | 10/8,5 |  |
| 14/16                                      | 1  | St    | 5,5 | S  | 57/57 | 10/8,5 |       |        |  |
|  | <div style="display: flex; border-collapse: collapse; border: 1px solid black; height: 100px;"> <table border="1" style="border: none; width: 100%;"> <tr> <td style="width: 10%; height: 10px;"></td> <td style="width: 10%; height: 10px;"></td> <td style="width: 10%; height: 10px;"></td> <td style="width: 10%; height: 10px;"></td> <td style="width: 10%; height: 10px;"></td> <td style="width: 10%; height: 10px;"></td> <td style="width: 10%; height: 10px;"></td> <td style="width: 10%; height: 10px;"></td> </tr> </table> </div> |       |     |    |       |        |       |        |  |
|  |  |       |     |    |       |        |       |        |  |
|  | <div style="display: flex; border-collapse: collapse; border: 1px solid black; height: 100px;"> <table border="1" style="border: none; width: 100%;"> <tr> <td style="width: 10%; height: 10px;"></td> <td style="width: 10%; height: 10px;"></td> <td style="width: 10%; height: 10px;"></td> <td style="width: 10%; height: 10px;"></td> <td style="width: 10%; height: 10px;"></td> <td style="width: 10%; height: 10px;"></td> <td style="width: 10%; height: 10px;"></td> <td style="width: 10%; height: 10px;"></td> </tr> </table> </div> |       |     |    |       |        |       |        |  |
|  |  |       |     |    |       |        |       |        |  |
|  | <div style="display: flex; border-collapse: collapse; border: 1px solid black; height: 100px;"> <table border="1" style="border: none; width: 100%;"> <tr> <td style="width: 10%; height: 10px;"></td> <td style="width: 10%; height: 10px;"></td> <td style="width: 10%; height: 10px;"></td> <td style="width: 10%; height: 10px;"></td> <td style="width: 10%; height: 10px;"></td> <td style="width: 10%; height: 10px;"></td> <td style="width: 10%; height: 10px;"></td> <td style="width: 10%; height: 10px;"></td> </tr> </table> </div> |       |     |    |       |        |       |        |  |
|  |  |       |     |    |       |        |       |        |  |

| Bestellnummer<br>Part Number | Lage der Anschlüsse<br>Position of ports   |  |  |  |  |  |  |  |
|------------------------------|--|--|--|--|--|--|--|--|
|                              | <div style="display: flex; border-collapse: collapse; border: 1px solid black; height: 100px;"> <table border="1" style="border: none; width: 100%;"> <tr> <td style="width: 10%; height: 10px;"></td> <td style="width: 10%; height: 10px;"></td> <td style="width: 10%; height: 10px;"></td> <td style="width: 10%; height: 10px;"></td> <td style="width: 10%; height: 10px;"></td> <td style="width: 10%; height: 10px;"></td> <td style="width: 10%; height: 10px;"></td> </tr> </table> </div> |  |  |  |  |  |  |  |
|                              |  |  |  |  |  |  |  |  |
|                              | <div style="display: flex; border-collapse: collapse; border: 1px solid black; height: 100px;"> <table border="1" style="border: none; width: 100%;"> <tr> <td style="width: 10%; height: 10px;"></td> <td style="width: 10%; height: 10px;"></td> <td style="width: 10%; height: 10px;"></td> <td style="width: 10%; height: 10px;"></td> <td style="width: 10%; height: 10px;"></td> <td style="width: 10%; height: 10px;"></td> <td style="width: 10%; height: 10px;"></td> </tr> </table> </div> |  |  |  |  |  |  |  |
|                              |  |  |  |  |  |  |  |  |
|                              | <div style="display: flex; border-collapse: collapse; border: 1px solid black; height: 100px;"> <table border="1" style="border: none; width: 100%;"> <tr> <td style="width: 10%; height: 10px;"></td> <td style="width: 10%; height: 10px;"></td> <td style="width: 10%; height: 10px;"></td> <td style="width: 10%; height: 10px;"></td> <td style="width: 10%; height: 10px;"></td> <td style="width: 10%; height: 10px;"></td> <td style="width: 10%; height: 10px;"></td> </tr> </table> </div> |  |  |  |  |  |  |  |
|                              |  |  |  |  |  |  |  |  |
|                              | <div style="display: flex; border-collapse: collapse; border: 1px solid black; height: 100px;"> <table border="1" style="border: none; width: 100%;"> <tr> <td style="width: 10%; height: 10px;"></td> <td style="width: 10%; height: 10px;"></td> <td style="width: 10%; height: 10px;"></td> <td style="width: 10%; height: 10px;"></td> <td style="width: 10%; height: 10px;"></td> <td style="width: 10%; height: 10px;"></td> <td style="width: 10%; height: 10px;"></td> </tr> </table> </div> |  |  |  |  |  |  |  |
|                              |  |  |  |  |  |  |  |  |
|                              | <div style="display: flex; border-collapse: collapse; border: 1px solid black; height: 100px;"> <table border="1" style="border: none; width: 100%;"> <tr> <td style="width: 10%; height: 10px;"></td> <td style="width: 10%; height: 10px;"></td> <td style="width: 10%; height: 10px;"></td> <td style="width: 10%; height: 10px;"></td> <td style="width: 10%; height: 10px;"></td> <td style="width: 10%; height: 10px;"></td> <td style="width: 10%; height: 10px;"></td> </tr> </table> </div> |  |  |  |  |  |  |  |
|                              |  |  |  |  |  |  |  |  |
|                              | <div style="display: flex; border-collapse: collapse; border: 1px solid black; height: 100px;"> <table border="1" style="border: none; width: 100%;"> <tr> <td style="width: 10%; height: 10px;"></td> <td style="width: 10%; height: 10px;"></td> <td style="width: 10%; height: 10px;"></td> <td style="width: 10%; height: 10px;"></td> <td style="width: 10%; height: 10px;"></td> <td style="width: 10%; height: 10px;"></td> <td style="width: 10%; height: 10px;"></td> </tr> </table> </div> |  |  |  |  |  |  |  |
|                              |  |  |  |  |  |  |  |  |
|                              | <div style="display: flex; border-collapse: collapse; border: 1px solid black; height: 100px;"> <table border="1" style="border: none; width: 100%;"> <tr> <td style="width: 10%; height: 10px;"></td> <td style="width: 10%; height: 10px;"></td> <td style="width: 10%; height: 10px;"></td> <td style="width: 10%; height: 10px;"></td> <td style="width: 10%; height: 10px;"></td> <td style="width: 10%; height: 10px;"></td> <td style="width: 10%; height: 10px;"></td> </tr> </table> </div> |  |  |  |  |  |  |  |
|                              |  |  |  |  |  |  |  |  |