

Product Specification

Function, quality and reliability are subjects of this specification.

If the Vario Compact Anti-Lock System is operated under conditions that are not described in this specification, WABCO will not assume liability or guarantee.

VCS II GenericIO Parameter Setting

Retarder Control (ID 15 / 16)

È vietato consegnare a terzi o riprodurre questo documento, utilizzarne il contenuto o renderlo comunque noto a terzi senza esplicita autorizzazione. Ogni infrazione comporta il risarcimento dei danni subiti. Sono riservati tutti i diritti derivanti dalla concessione di brevetti per invenzioni industriali di utilità o di brevetti per modelli ornamentali.
The reproduction, distribution and utilization of this document as well as the communication of its contents to others without express authorization is prohibited. Offenders will be held liable for the payment of damages. All rights reserved in the event of the grant of a patent, utility model or design.

Texts according to
ISO 16016

Toute communication ou reproduction de ce document, sous quelque forme que ce soit, et toute exploitation ou communication de son contenu sont interdites, sauf autorisation écrite expresse. Tout manquement à cette règle est illicite et expose son auteur au versement de dommages et intérêts. Tous droits réservés pour le cas de la délivrance d'un brevet, d'un modèle d'utilité ou d'un modèle de présentation.
Weitergabe sowie Vervielfältigung dieses Dokuments, Verwertung und Mitteilung seines Inhalts verboten, soweit nicht ausdrücklich gestattet. Zuwiderhandlungen verpflichten zu Schadenersatz. Alle Rechte für den Fall der Patent-, Gebrauchsmuster- oder Geschmacksmustereintragung vorbehalten.

			Copyright			WABCO VCS II GIO Retarder control VCS II GIO ISS Retarderregelung		
			Approval Level	Date	Name			
			Compiler	14.09.05	Weihe			
			2					
			3					
			4					
			TRI		Product Identification No.		Doc. Code	Page
DCN-No.	Revision	Date	540		246 116 003 0		435	1/6

È vietato consegnare, a terzi o riprodurre questo documento, utilizzarne il contenuto o renderlo comunque noto a terzi senza esplicita autorizzazione. Ogni infrazione comporta il risarcimento dei danni subiti. Sono riservati tutti i diritti derivanti dalla concessione di brevetti per invenzioni industriali di utilità o di brevetti per modelli ornamentali.
 The reproduction, distribution and utilization of this document as well as the communication of its contents to others without express authorization is prohibited. Offenders will be held liable for the payment of damages. All rights reserved in the event of the grant of a patent, utility model or design.

Texts according to ISO 16016

Toute communication ou reproduction de ce document, sous quelque forme que ce soit, et toute exploitation ou communication de son contenu sont interdites, sauf autorisation écrite expresse. Tout manquement à cette règle est illicite et expose son auteur au versement de dommages et intérêts. Tous droits réservés pour le cas de la délivrance d'un brevet, d'un modèle d'utilité ou d'un modèle de présentation.
 Weitergabe sowie Vervielfältigung dieses Dokuments, Verwertung und Mitteilung seines Inhalts verboten, soweit nicht ausdrücklich gestattet. Zuwiderhandlungen verpflichten zu Schadenersatz. Alle Rechte für den Fall der Patent-, Gebrauchsmuster- oder Geschmacksmusterreinertragung vorbehalten.

This specification describes the requirements for an ISS function with speed pulse by GenericIO parameter setting.

Contents:

1 References 3

2 General 3

3 Pinning 3

4 Wiring 3

5 External components 3

6 Functionality 3

7 Operating range 3

8 Failure detection 4

9 Function parameters 4

10 Test function 4

11 System safety 4

12 Wiring diagrams 5

	TRI	Date/Compiler	Product Identification No.	Doc. Code	Page
WABCO	540	14.09.05	246 116 003 0	435	2/6

È vietato consegnare a terzi o riprodurre questo documento, utilizzarne il contenuto o renderlo comunque noto a terzi senza esplicita autorizzazione. Ogni infrazione comporta il risarcimento dei danni subiti. Sono riservati tutti i diritti derivanti dalla concessione di brevetti per invenzioni industriali di utilità o di brevetti per modelli ornamentali.

The reproduction, distribution and utilization of this document as well as the communication of its contents to others without express authorization is prohibited. Offenders will be held liable for the payment of damages. All rights reserved in the event of the grant of a patent, utility model or design.

Texts according to ISO 16016

Toute communication ou reproduction de ce document, sous quelque forme que ce soit, et toute exploitation ou communication de son contenu sont interdites, sauf autorisation écrite expresse. Tout manquement à cette règle est illicite et expose son auteur au versement de dommages et intérêts. Tous droits réservés pour le cas de la délivrance d'un brevet, d'un modèle d'utilité ou d'un modèle de présentation.

Weitergabe sowie Vervielfältigung dieses Dokuments, Verwertung und Mitteilung seines Inhalts verboten, soweit nicht ausdrücklich gestattet. Zuwiderhandlungen verpflichten zu Schadenersatz. Alle Rechte für den Fall der Patent-, Gebrauchsmuster- oder Geschmacksmusterertragung vorbehalten.

1 References

The system specification 400 010 203 0 ist the basis for the VCS II requirements. This document specifies the VCS II system.

The electrical data of the output is specified in the component specification of the corresponding modulator.

2 General

The function "Retarder control" can control a retarder axle on the trailer.

3 Pinning

The function uses the following connector pins:

Variant	Connector pin
Standard	X6.1or X6.2
Premium	X6.1or X6.2

The retarder control function is defined for the digital Generic output D1 (X6.1 and X6.8 respectively) or the digital Generic output D2 (X6.2).

4 Wiring

The retarder control function is wired by the GenericIO cable 449 617 ... 0 (resp. other cables which support this and other functions). See also the wiring diagrams on page 5 and 6.

5 External components

For this function there are no additional external components necessary.

6 Functionality

The retarder control function switches off a trailer retarder, as soon as the ABS control is active and the brake is applied. The status of the ABS stop light power supply input is used to check the brake status.

7 Operating range

There are restrictions regarding the operating range.

WABCO	TRI	Date/Compiler	Product Identification No.	Doc. Code	Page
	540	14.09.05	246 116 003 0	435	3/6

È vietato consegnare a terzi o riprodurre questo documento, utilizzarne il contenuto o renderlo comunque noto a terzi senza esplicita autorizzazione. Ogni infrazione comporta il risarcimento dei danni subiti. Sono riservati tutti i diritti derivanti dalla concessione di brevetti per invenzioni industriali di utilità o di brevetti per modelli ornamentali.

The reproduction, distribution and utilization of this document as well as the communication of its contents to others without express authorization is prohibited. Offenders will be held liable for the payment of damages. All rights reserved in the event of the grant of a patent, utility model or design.

Texts according to ISO 16016

Toute communication ou reproduction de ce document, sous quelque forme que ce soit, et toute exploitation ou communication de son contenu sont interdites, sauf autorisation écrite expresse. Tout manquement à cette règle est illicite et expose son auteur au versement de dommages et intérêts. Tous droits réservés pour le cas de la délivrance d'un brevet, d'un modèle d'utilité ou d'un modèle de présentation.

Weitergabe sowie Vervielfältigung dieses Dokuments, Verwertung und Mitteilung seines Inhalts verboten, soweit nicht ausdrücklich gestattet. Zuwiderhandlungen verpflichten zu Schadenersatz. Alle Rechte für den Fall der Patent-, Gebrauchsmuster- oder Geschmacksmusterreinertragung vorbehalten.

8 Failure detection and reaction

The following failures can be detected at the corresponding output:

- Short circuit to power
- Short circuit to ground
- Cable break (only if the corresponding function parameter is activated)

If one of these failures occurs it is stored in the failure memory and the warning lamp is activated (in case of cable brake only if the corresponding function parameter is activated).

9 Function parameters

The following function parameters are available:

- Inverse control
- Cable break detection

10 Test function

The test function allows testing of the retarder control function by controlling the retarder directly and independently of the ABS status.

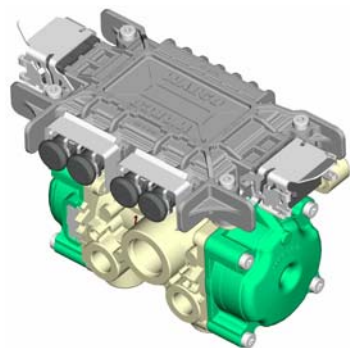
11 System safety

GenericIO functions may be used for general applications. Trailer manufacturers, workshops and fleets who are installing or operating this functionality must assure that the system achieves a safe status in case of any system failure (fail-safe status).

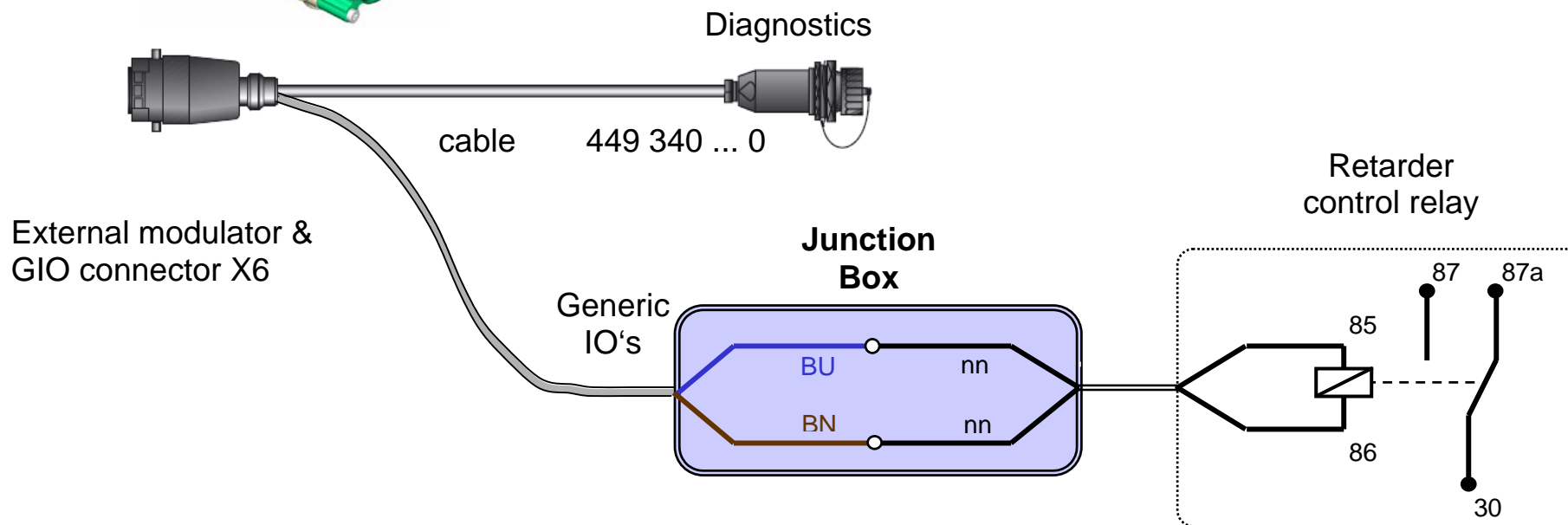
	TRI	Date/Compiler	Product Identification No.	Doc. Code	Page
WABCO	540	14.09.05	246 116 003 0	435	4/6

12 Wiring diagrams

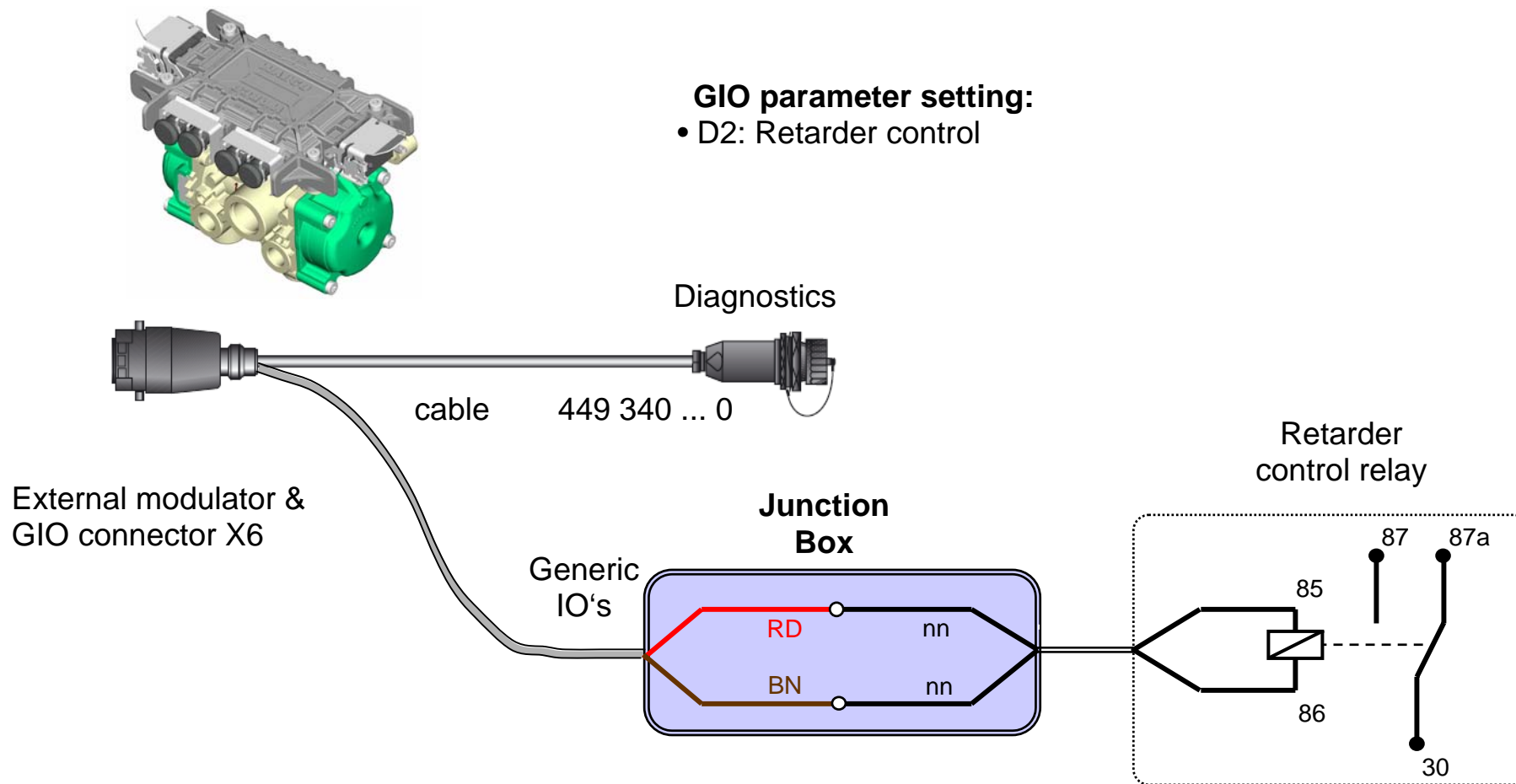
VCS II Retarder Control via D1



GIO parameter setting:
• D1: Retarder control



VCS II Retarder Control via D2



GIO parameter setting:

- D2: Retarder control

Attachment

Reference of matching circuit diagrams

VCS II, Retarder Control

Click to open:

Retarder Control 841 802 137 0