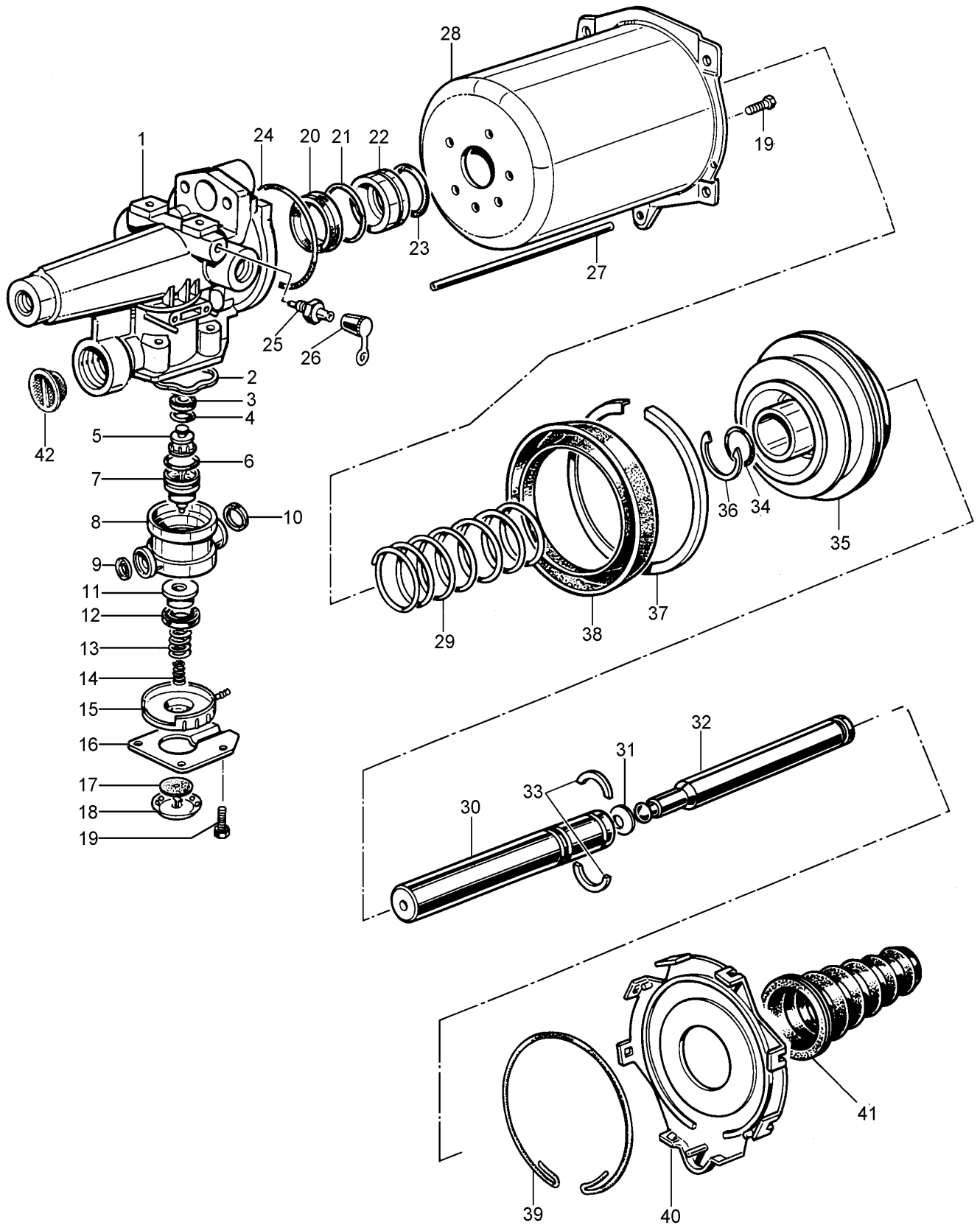


# Servo-débrayage

type PR 756

970 051



# Servo-débrayage

## type PR 756

# 970 051

| Désignation              | n °<br>de repère | n °<br>de catalogue    | pièces communes<br>aux variantes | quantité par variante |  |  |  | jeu<br>de<br>réparation |     |  |
|--------------------------|------------------|------------------------|----------------------------------|-----------------------|--|--|--|-------------------------|-----|--|
|                          |                  |                        |                                  | 303                   |  |  |  |                         |     |  |
| <b>Servo-débrayage</b>   |                  | <b>970 051 . . . 0</b> |                                  |                       |  |  |  |                         |     |  |
| Jeu de réparation        |                  | 970 051 953 2          |                                  | X                     |  |  |  |                         | 953 |  |
| Corps hydraulique        | 1                | -                      | 1                                |                       |  |  |  |                         |     |  |
| Rondelle élastique       | 2                | NTS                    | 1                                |                       |  |  |  |                         | 1   |  |
| Joint à lèvres           | 3                | NTS                    | 1                                |                       |  |  |  |                         | 1   |  |
| Joint torique            | 4                | NTS                    | 1                                |                       |  |  |  |                         | 1   |  |
| Pion                     | 5                | -                      | 1                                |                       |  |  |  |                         |     |  |
| Joint torique            | 6                | NTS                    | 1                                |                       |  |  |  |                         | 1   |  |
| Piston                   | 7                | -                      | 1                                |                       |  |  |  |                         |     |  |
| Cartouche                | 8                | -                      | 1                                |                       |  |  |  |                         |     |  |
| Joint                    | 9                | NTS                    | 1                                |                       |  |  |  |                         | 1   |  |
| Joint                    | 10               | NTS                    | 1                                |                       |  |  |  |                         | 1   |  |
| Clapet                   | 11               | NTS                    | 1                                |                       |  |  |  |                         | 1   |  |
| Joint                    | 12               | NTS                    | 1                                |                       |  |  |  |                         | 1   |  |
| Ressort                  | 13               | NTS                    | 1                                |                       |  |  |  |                         | 1   |  |
| Ressort                  | 14               | NTS                    | 1                                |                       |  |  |  |                         | 1   |  |
| Guide de clapet          | 15               | -                      | 1                                |                       |  |  |  |                         |     |  |
| Plaque                   | 16               | -                      | 1                                |                       |  |  |  |                         |     |  |
| Clapet                   | 17               | NTS                    | 1                                |                       |  |  |  |                         | 1   |  |
| Protecteur d'échappement | 18               | NTS                    | 1                                |                       |  |  |  |                         | 1   |  |
| Vis                      | 19               | -                      | 8                                |                       |  |  |  |                         |     |  |
| Joint à lèvres           | 20               | NTS                    | 1                                |                       |  |  |  |                         | 1   |  |
| Joint                    | 21               | NTS                    | 1                                |                       |  |  |  |                         | 1   |  |
| Guide porteur            | 22               | NTS                    | 1                                |                       |  |  |  |                         | 1   |  |
| Joint                    | 23               | NTS                    | 1                                |                       |  |  |  |                         | 1   |  |
| Joint torique            | 24               | NTS                    | 1                                |                       |  |  |  |                         | 1   |  |
| Vis de purge             | 25               | -                      | 1                                |                       |  |  |  |                         |     |  |
| Capuchon                 | 26               | NTS                    | 1                                |                       |  |  |  |                         | 1   |  |
| Tube noir                | 27               | -                      | 1                                |                       |  |  |  |                         |     |  |
| Corps pneumatique        | 28               | -                      | 1                                |                       |  |  |  |                         |     |  |
| Ressort                  | 29               | NTS                    | 1                                |                       |  |  |  |                         | 1   |  |
| Piston hydraulique       | 30               | -                      | 1                                |                       |  |  |  |                         |     |  |
| Clips                    | 31               | NTS                    | 1                                |                       |  |  |  |                         | 1   |  |
| Bielle                   | 32               | -                      | 1                                |                       |  |  |  |                         |     |  |
| Demirondelle             | 33               | -                      | 2                                |                       |  |  |  |                         |     |  |
| Joint torique            | 34               | NTS                    | 1                                |                       |  |  |  |                         | 1   |  |
| Piston                   | 35               | -                      | 1                                |                       |  |  |  |                         |     |  |
| Anneau d'arrêt           | 36               | NTS                    | 1                                |                       |  |  |  |                         | 1   |  |
| Porteur                  | 37               | NTS                    | 1                                |                       |  |  |  |                         | 1   |  |
| Joint à lèvres           | 38               | NTS                    | 1                                |                       |  |  |  |                         | 1   |  |
| Joint mousse             | 39               | NTS                    | 1                                |                       |  |  |  |                         | 1   |  |
| Plaque avant             | 40               | NTS                    | 1                                |                       |  |  |  |                         | 1   |  |
| Gaine                    | 41               | 897 754 858 4          | 1                                |                       |  |  |  |                         |     |  |
| Filtre                   | 42               | NTS                    | 1                                |                       |  |  |  |                         | 1   |  |

NTS : non tarifée séparément : voir jeu de réparation