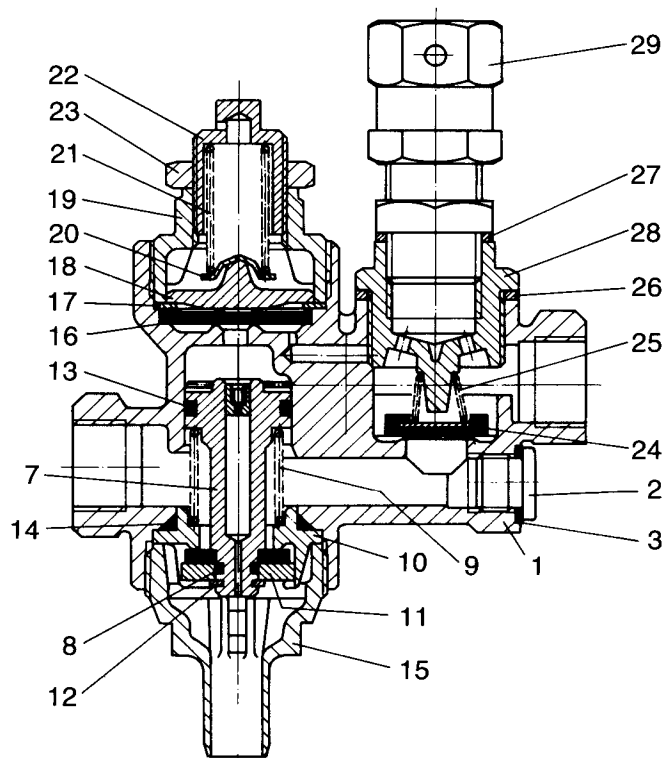


NT pièce non tarifée.
NTS pièce non tarifée séparément, en pochette.



régulateur de pression

475 302

| désignation | n° de repère | n° de catalogue | pièces communes aux variantes | quantité par variante | | | | | | pochette de réparation | |
|------------------------|-----------------|--------------------------------|----------------------------------|-----------------------|-----|-----|--|--|---|---------------------------|-----|
| | | | | 004 | 012 | 100 | | | | 009 | 001 |
| Régulateur de pression | | 475 302 . . . 0 | | | | | | | | | |
| Pochette de réparation | | 475 302 009 2 475 302 001 2 | | × | × | × | | | | 009 | 001 |
| Corps complet | 1 à 3 | NT | | 1 | | | | | | | |
| Corps complet | 1 à 3 | NT | | | 1 | 1 | | | | | |
| Bouchon | 2 | NT | 1 | | | | | | | | |
| Joint | 3 | NTS | 1 | | | | | | 1 | 1 | |
| Goujon | (4) | NT | | 1 | | 1 | | | | | |
| Rondelle | (5) | NTS | | 1 | | 1 | | | 1 | 1 | |
| Écrou | (6) | NT | | 1 | | 1 | | | | | |
| Piston complet | 7 à 12 | 475 302 626 2 | 1 | | | | | | | | |
| Piston | 7 | NT | 1 | | | | | | | | |
| Joint | 8 | NTS | 1 | | | | | | 1 | 1 | |
| Ressort | 9 | NTS | 1 | | | | | | 1 | 1 | |
| Guide de clapet | 10 | NT | 1 | | | | | | | | |
| Clapet | 11 | NTS | 1 | | | | | | 1 | 1 | |
| Anneau d'arrêt | 12 | NTS | 1 | | | | | | 1 | 1 | |
| Joint | 13 | NTS | 1 | | | | | | 1 | 1 | |
| Joint | 14 | NTS | 1 | | | | | | 1 | 1 | |
| Embout | 15 | NT | 1 | | | | | | | | |
| Membrane | 16 | NTS | 1 | | | | | | 1 | 1 | |
| Rondelle | 17 | NT | 1 | | | | | | | | |
| Rondelle d'appui | 18 | NT | 1 | | | | | | | | |
| Chapeau | 19 | NT | 1 | | | | | | | | |
| Coupelle | 20 | NT | 1 | | | | | | | | |
| Ressort | 21 | NTS | 1 | | | | | | 1 | 1 | |
| Vis de réglage | 22 | NT | 1 | | | | | | | | |
| Écrou | 23 | NT | 1 | | | | | | | | |
| Clapet | 24 | NTS | 1 | | | | | | 1 | 1 | |
| Ressort | 25 | NTS | 1 | | | | | | 1 | 1 | |
| Joint | 26 | NTS | 1 | | | | | | 1 | 1 | |
| Joint | 27 | NTS | | | | 1 | | | | 1 | |
| Couvercle | 28 | NT | | 1 | 1 | | | | | | |
| Couvercle | 28 | NT | | | | 1 | | | | | |
| Soupape de sûreté | 29 | NT | | | | 1 | | | | | |