

Diagramas básicos con arreglo a la
Directriz 71/320/CEE del Consejo de las
Comunidades Europeas sobre "Sistemas de
Frenado" para vehículos de motor

Basic diagrams as per Guideline of the Council of the
European Communities „Braking Systems“ 71/320/EEC
for Motor Vehicles

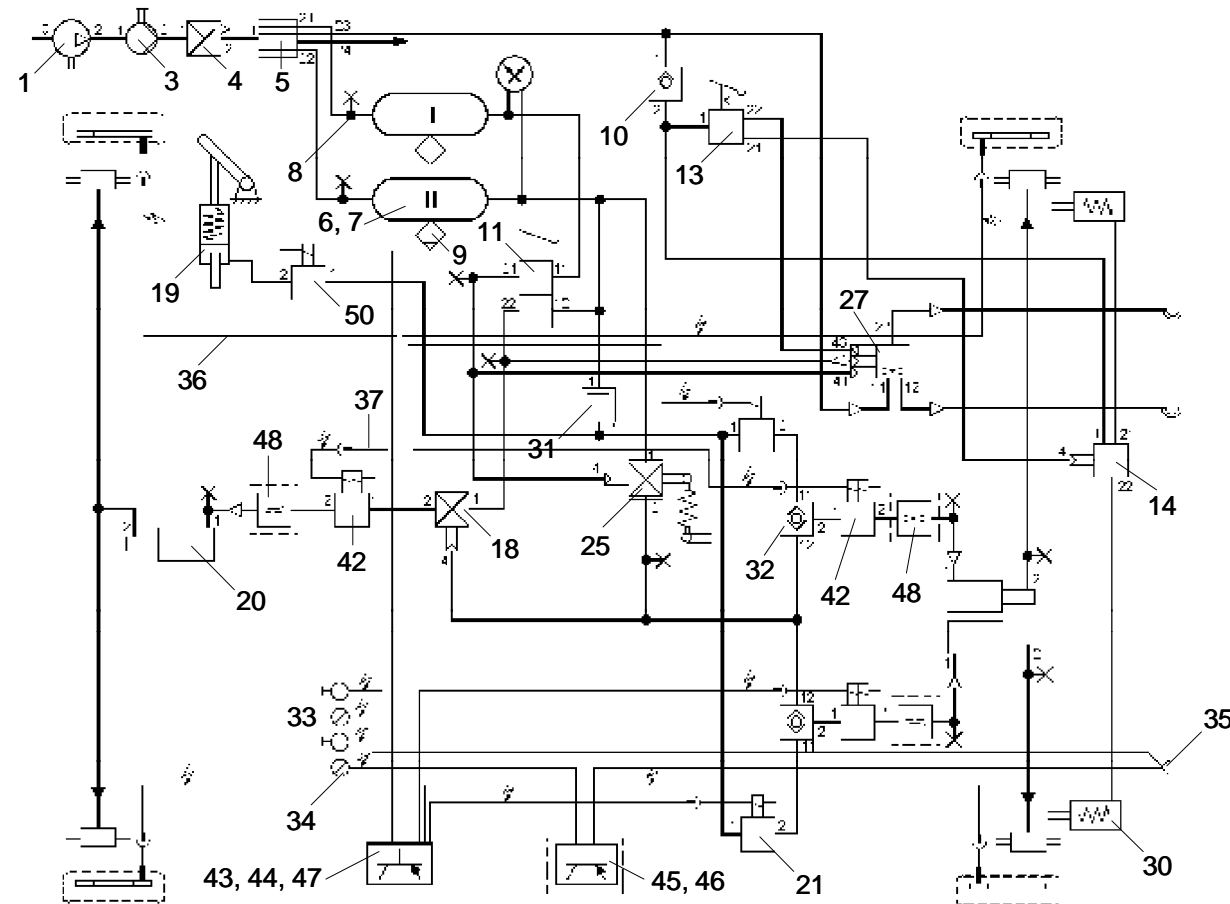
Diagramas básicos con arreglo a la
Directriz 71/320/CEE del Consejo de las
Comunidades Europeas sobre "Sistemas de
Frenado" para vehículos remolcados

Basic diagrams as per Guideline of the Council of the
European Communities „Braking Systems“ 71/320/EEC
for Towed Vehicles

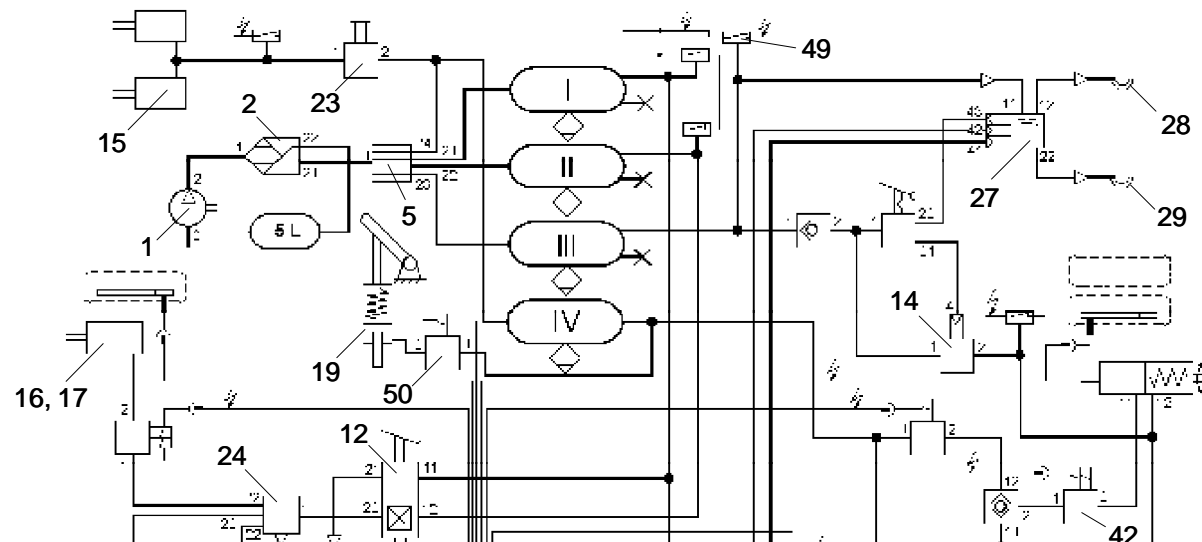
nd

Nº de pieza			
411 0	1 Compressor	411 0	
432 4.. ... 0	2 Air dryer with combined unloader	432 4.. ... 0	
932 002 ... 0	3 Anti-freeze pump	932 002 ... 0	
975 303 ... 0	4 Combined unloader	975 303 ... 0	
934 702 ... 0	5 Four circuit protection valve	934 702 ... 0	
950 0	6 Air reservoir	950 0	
451 901 ... 0	7 Clamps	451 901 ... 0	
463 703 ... 0	8 Test coupling	463 703 ... 0	
934 300 ... 0	9 Drain valve	934 300 ... 0	
434 014 ... 0	10 Check-Valve	434 014 ... 0	
461 315 ... 0	11 Brake valve	461 315 ... 0	
461 319 ... 0	12 Brake valve with integral auto load proportioning valve	461 319 ... 0	
961 723 ... 0	13 Hand control valve with trailer control	961 723 ... 0	
973 006 ... 0	14 Relay valve	973 006 ... 0	
421 0	15 Piston cylinder	421 0	
423 0	16 Brake chamber	423 0	
423 ... 53. 2	17 Mounting kit *) Link joint *)	423 ... 53. 2	
895 801 ... 0	18 Empty/Load valve	895 801 ... 0	
473 302 ... 0	19 ASR-Control Cylinder	473 302 ... 0	
421 44. ... 0	20 Air/Hydraulic actuator	421 44. ... 0	
42. 0	21 Solenoid valve	42. 0	
472 124 ... 0	22 Tristop-Brake actuator	472 124 ... 0	
925 0	23 3/2-Directional control valve	925 0	
463 013 ... 0	24 Quick release valve	463 013 ... 0	
973 500 ... 0	25 Load sensing valve	973 500 ... 0	
475 710 ... 0	26 Knuckle joint	475 710 ... 0	
433 30. ... 0	27 Trailer control valve	433 30. ... 0	
973 00. ... 0	28 Hose coupling, supply	973 00. ... 0	
952 200 221 0	29 Hose coupling, control	952 200 221 0	
952 200 222 0	30 Spring Brake actuator	952 200 222 0	
425 33. ... 0	31 Charging valve	425 33. ... 0	
434 100 ... 0	32 Two-Way valve	434 100 ... 0	
434 208 ... 0	33 ABS Warning lamp ***)	434 208 ... 0	
	34 ABS Info lamp ***)		
446 010 ... 2	35 ABS-socket	446 010 ... 2	
894 590 01. 2	36 Extension for sensor	894 590 01. 2	
894 601 01. 2	37 Solenoid cable	894 601 01. 2	
899 760 510 4	38 Socket **)	899 760 510 4	
	39 Sensor braket **)		
441 032 63. 0	40 Sensor with cable **)	441 032 63. 0	
895 905 ... 4	41 Pole wheel **)	895 905 ... 4	
472 195 004 0	42 ABS-Solenoid valve	472 195 004 0	
446 010 ... 0	43 ECU-Protective body	446 010 ... 0	
3S/ASR) 446 004 ... 0	44 Electronic control unit (ABS/ASR)	446 004 ... 0	

Sistema de frenado neumohidráulico combinado con accionador de doble circuito y ABS/ASR (4S/3M)
 Combined air over hydraulic braking system with dual-circuit actuator and ABS/ASR (4S/3M)



Sistema de frenado neumático con ABS/ASR (4S/4M)
 Air Braking System with ABS/ASR (4S/4M)



nd

amiento

n

ABS

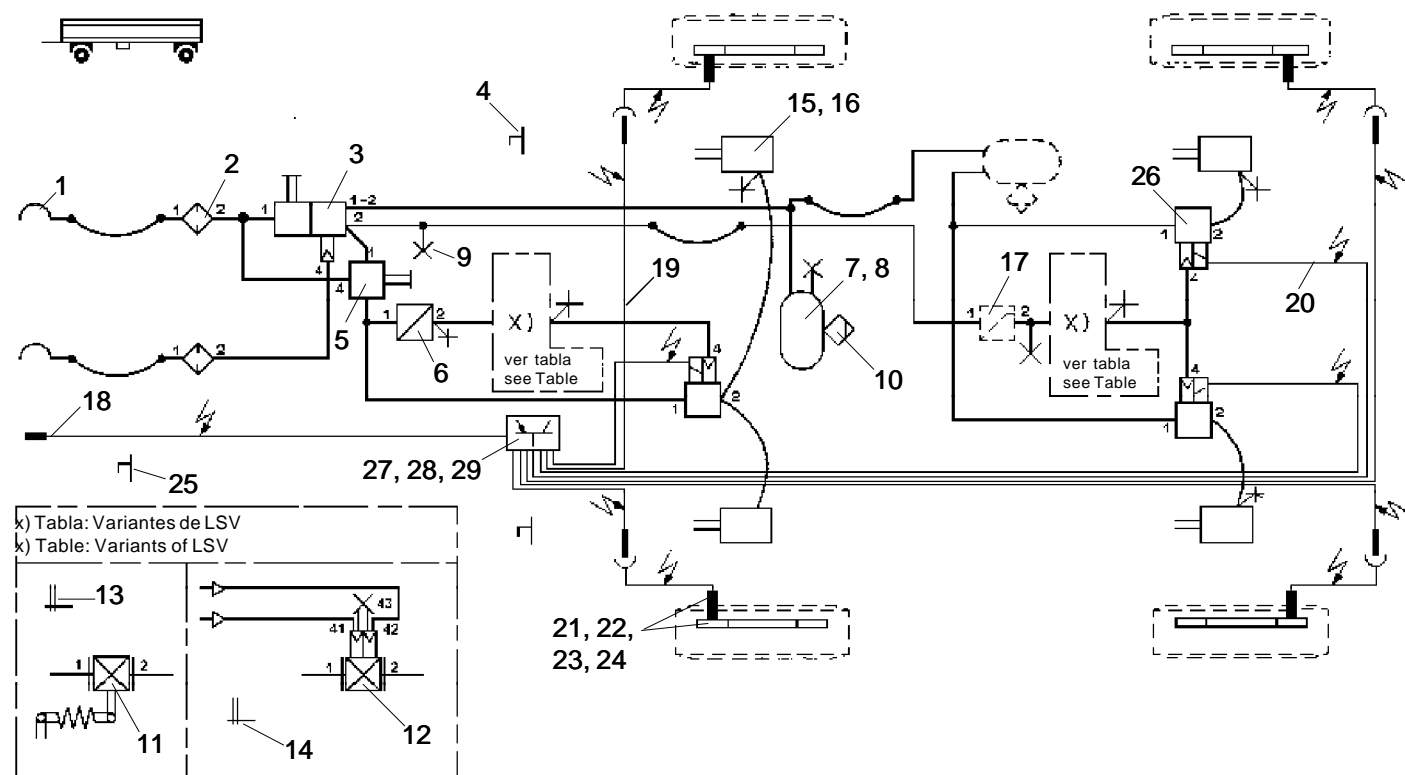
cámara del freno
eje

No.	Description	Part Number
1	Hose coupling	952 200 ... 0
2	Line filter	432 500 ... 0
3	Relay emerg.valve with release valve	971 002 ... 0
4	Dummy coupling	452 402 ... 0
5	Trailer release valve	463 034 ... 0
6	Adjusting valve	975 001 ... 0
7	Air reservoir	950 ... 0
8	Mounting clamp	451 901 ... 0
9	Test connection	463 703 ... 0
10	Drain valve	934 300 ... 0
11	Load sensing valve with integral knuckle joint	475 713 ... 0
12	Load sensing valve with integral test valve	475 714 ... 0
13	Plate, LSV setting mech.	899 144 630 4
14	Plate, LSV setting air	899 144 631 4
15	Piston cylinder	921 ... 0
16	Mounting kit *) Link joint *)	423 ... 53. 2 895 801 ... 0
17	Pressure limiting valve	475 010 ... 0
18	ABS plug with cable	446 010 ... 2
19	Extension for sensor	894 590 01. 2
20	Solenoid cable	894 601 01. 2
21	Socket **)	899 760 510 4
22	Sensor bracket **)	
23	Sensor with cable **)	441 032 63. 0
24	Pole wheel **)	895 905 ... 4
25	ABS parking socket	446 008 600 2
26	ABS relay valve	472 195 020 0
27	ABS pack	446 105 ... 2
28	ABS electronics	446 105 ... 0
29	ABS housing bottom	446 105 012 4
30	ABS electrical helix	446 008 230 0

*) to be provided when brake chamber are used

**) Supplied by Axle Manufacturer

Remolque de dos ejes con sistema de frenado neumático de doble circuito y ABS VARIO-C (4S/3M)
2-Axle Trailer with two line air braking system and VARIO-C ABS (4S/3M)



Semirremolque de 3 ejes con sistema de frenado neumático de doble circuito y ABS VARIO-C (6S/3M)
3-Axle Semi-trailer with two line air braking system and VARIO-C ABS (6S/3M)

