

Válvula control direccional 3/2 vías

463 039

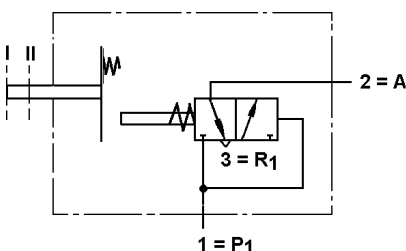
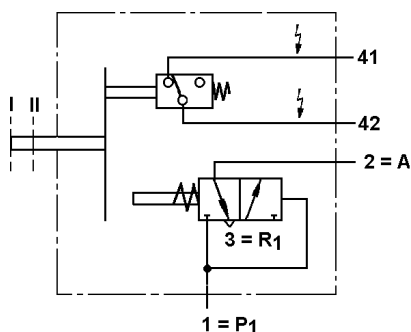
3/2-Directional Control Valve



463 039 002 0

Datos técnicos / Technical Data:

| | |
|---|----------------------------|
| Presión de funcionamiento Operating Pressure | max. 10 bar |
| Medio Permissible Medium | Luft / air |
| Rango de temperatura Operating temperature range | -15°C a/to +80°C |
| Corriente Type of Current | Continua Direct Current |
| Capacidad (para resistencia ohmica solamente) witching Capacity (for ohmic resistente only) | 120 W a/at 10 A |
| Diámetro nominal Nominal diameter | Ø 1,5 mm |



| Referencia Part Number | Símbolo | Tipo | conector Switch |
|---------------------------|---------|------|--------------------|
| 463 039 000 0 | 1 | 1 | con / with |
| 463 039 002 0 | 2 | 1 | sin / without |
| 463 039 005 0 | 2 | 2 | sin / without |
| 463 039 006 0 | 2 | 3 | sin / without |

para símbolo 1 sólo for Symbol 1 only

| posición Position | presión Pressure | Boca Port 41.....42 | Boca Port A = 2 |
|----------------------|---------------------|---------------------------|----------------------------|
| I | > 6,2 bar | conectada connected | presurizada pressurized |
| II | < 2,9 bar | cerrada interrupted | abierta vented |

Propósito:

La válvula se utiliza para controlar la transmisión de freno.

Requisitos de instalación:

La válvula debe instalarse siguiendo las instrucciones de transmisión del fabricante.

Purpose:

The valve is used to controll the transmission brake.

Requirement:

The valve is installed according to the transmission manufacturer's instructions.

3

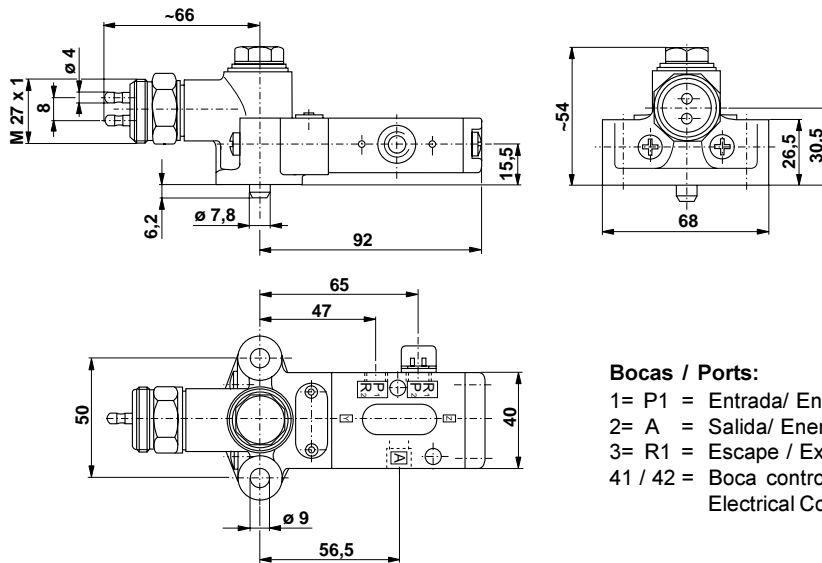
Válvula control direccional 3/2 vías

463 039

3/2-Directional Control Valve

Instalación/ Installation:

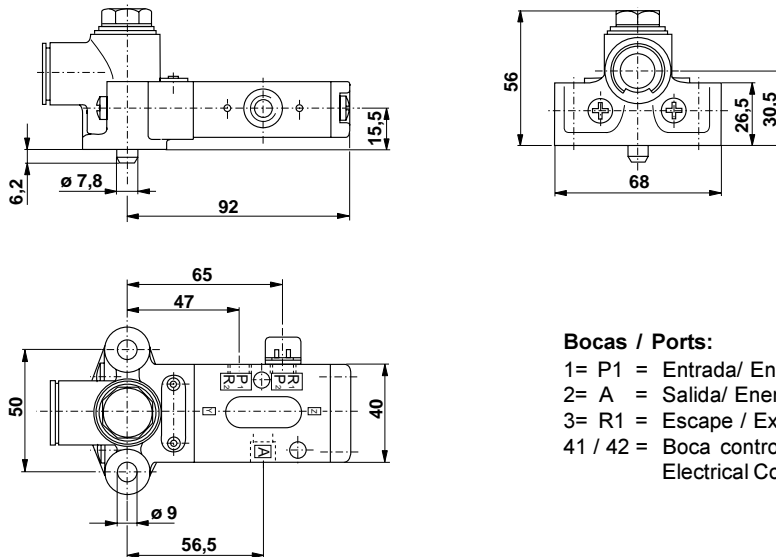
Tipo 1



Bocas / Ports:

- 1= P1 = Entrada/ Energy supply
- 2= A = Salida/ Energy delivery
- 3= R1 = Escape / Exhaust
- 41 / 42 = Boca control eléctrica
Electrical Control Port

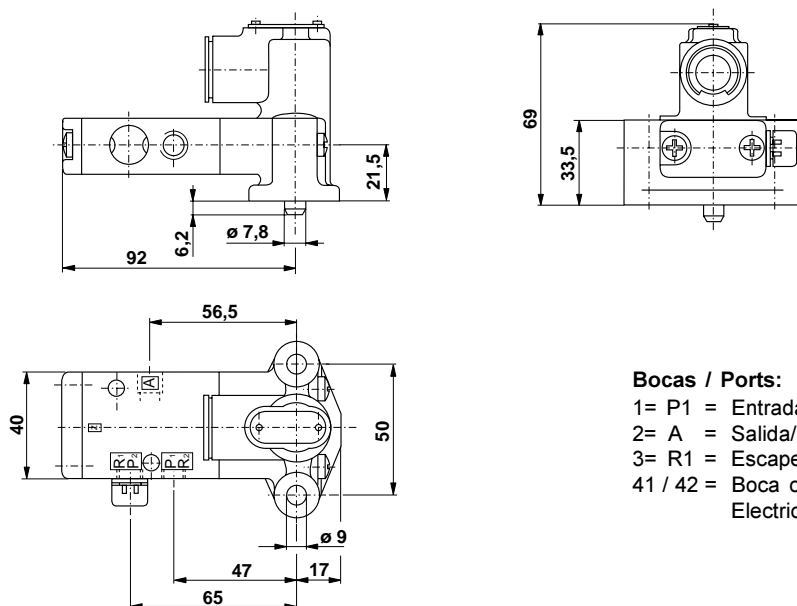
Tipo 2



Bocas / Ports:

- 1= P1 = Entrada/ Energy supply
- 2= A = Salida/ Energy delivery
- 3= R1 = Escape / Exhaust
- 41 / 42 = Boca control eléctrica
Electrical Control Port

Tipo 3



Bocas / Ports:

- 1= P1 = Entrada/ Energy supply
- 2= A = Salida/ Energy delivery
- 3= R1 = Escape / Exhaust
- 41 / 42 = Boca control eléctrica
Electrical Control Port