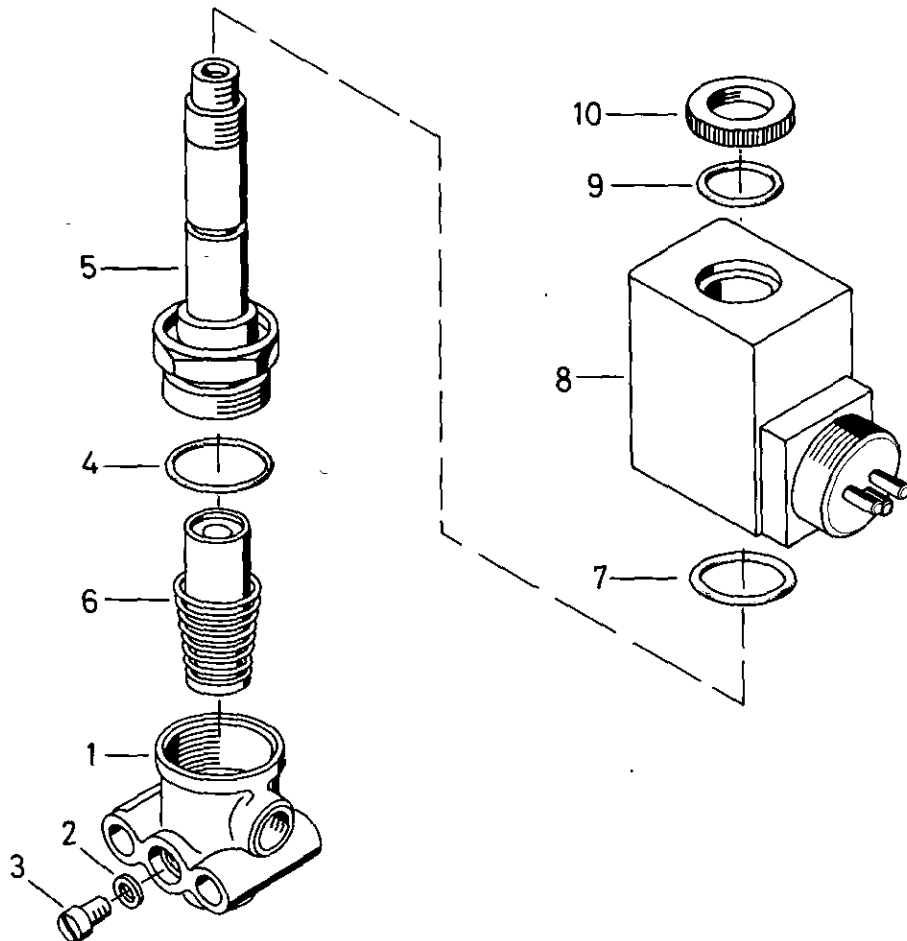


3/2-Wege-Magnetventil

472 134

3/2 Solenoid directional control valve



a. Zu verwenden nach Bedarf.
 b. To be used as required as shown in diagram.
 c. Wanlike of the valve body, the part is not shown.
 d. Application by drawing.

... Teil nicht im Rep.-Satz enthalten.
 ... Part not included in the repair kit.
 ... This part is not included in the repair kit.
 ... This part can be ordered separately.

• Bei Reparaturen sollten diese Teile ersetzt werden.
 • At repairs these parts should be replaced.
 • Hierzu siehe Ersatzteilblatt unter dieser Gerätemerkmale.
 • See spare parts list with this part number.

| Benennung name of part | Position ref. no. | Bestellnummer part number | für alle Abwandlgn. for all variations | Stückzahl je Abwandlg. quantity per variation | | | | | | |
|---------------------------|----------------------|------------------------------|---|--|-----|--|--|--|--|--|
| | | | | 708 | 758 | | | | | |
| 3/2-WEGE-MAGNETVENTIL | | 472 134 ... 0 | | 708 | 758 | | | | | |
| Gehäuse | 1 | - | 1 | | | | | | | |
| Dichtring A6x10 | 2 | DIN 7603-Al-gew. | 2 | | | | | | | |
| Zylinderschraube | 3 | AM6x8 DIN 84-4.8-Zn | 2 | | | | | | | |
| O-Ring 17,3x2,4 | 4* | 897 780 140 4 | 1 | | | | | | | |
| Flansch | 5 | - | 1 | | | | | | | |
| Anker | 6* | 442 202 520 2 | 1 | | | | | | | |
| O-Ring 25,0x2,5 | 7 | 897 070 160 4 | 1 | | | | | | | |
| Spule | 8 | - | 1 | 1 | | | | | | |
| Spule | 8 | 442 205 713 2 | 1 | | 1 | | | | | |
| O-Ring 14,0x2,55 | 9 | 897 772 050 4 | 1 | | | | | | | |
| Rändelmutter | 10 | - | 1 | | | | | | | |

Änderungen bleiben vorbehalten
 The right of amendment is reserved

WABCO

472 134 910 3 Ausgabe 10.88