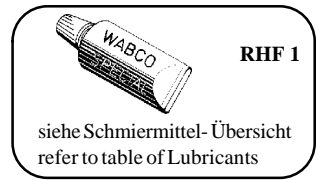
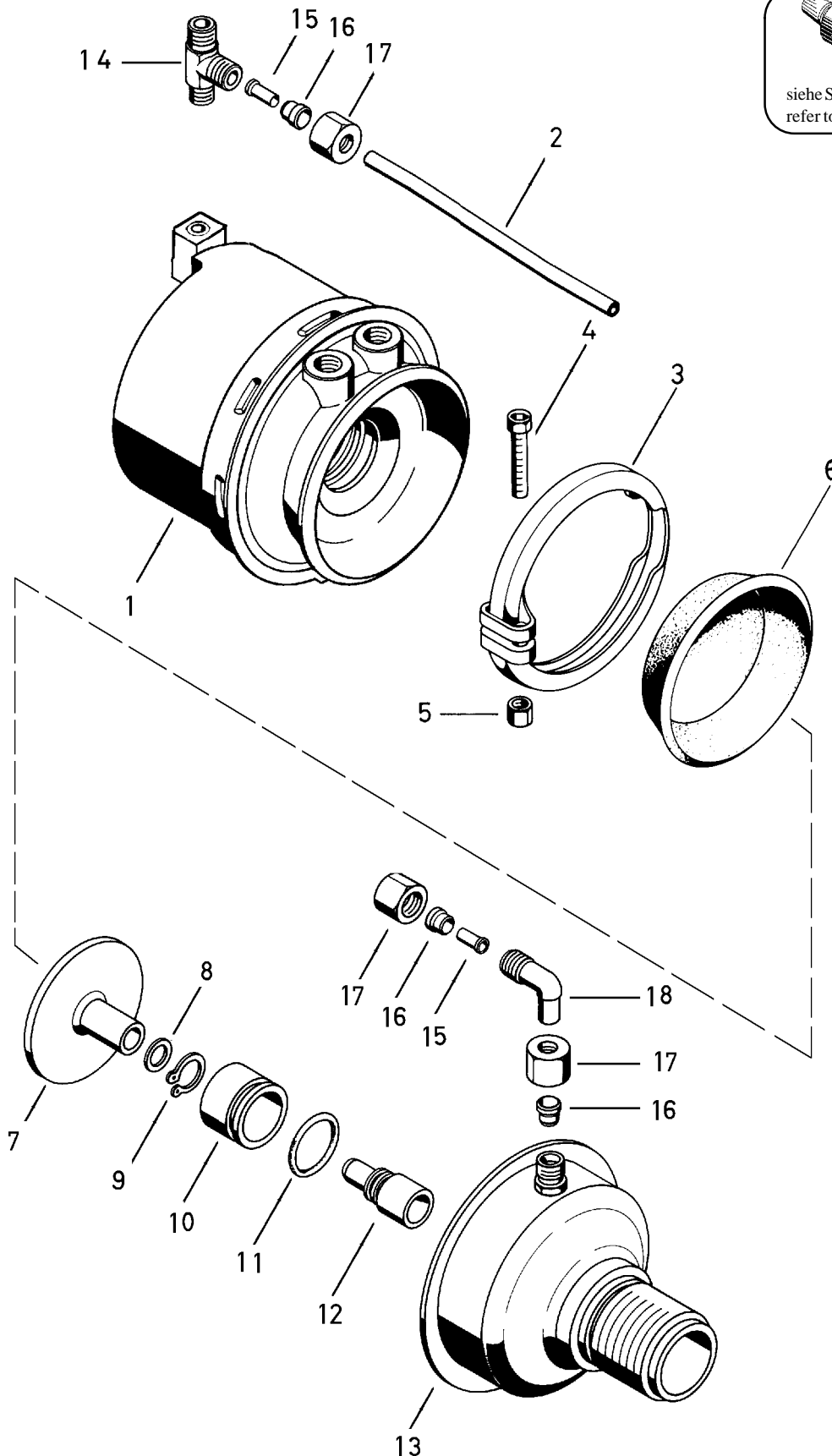


Tristop® -Zylinder

Tristop® brakeactuator

425 426



© Copyright: WABCO Westinghouse Fahrzeugbremsen, Hannover.
Nachdruck - auch auszugsweise - nur mit unserer Genehmigung.
© copyright: WABCO Westinghouse Fahrzeugbremsen, Hannover.
No part of this publication may be reproduced without our prior permission.

K 19

WABCO

425 426 910 3

Ausgabe 09.94
C 5 426 10 A

Tristop® -Zylinder

425 426

Tristop® brake actuator

a Zu ve wenden nach beca
a to be used as required as occasion demands.
(...) Teil nicht gezeichnet.
(...) Part not shown.

... le s n ch m Kep Sa z en na en
Es ist gesondert zu bestellen.
*** This part is not included in the repair kit
and is to be ordered separately.

Be Kapa u en so en a ese le e e se z we den
At repairs these parts should be replaced.
** Hierzu siehe Ersatzteilblatt unter dieser Geräteummer.
** See spare parts list with this part number.

| Benennung name of part | Position ref. no. | Bestellnummer part number | für alle Abwandlgn. for all variations | Stückzahl je Abwandlg. quantity per variation | | | | | Reparaturatz repair kit | |
|---|----------------------|--------------------------------|---|--|-----|-----|--|---|----------------------------|-----|
| | | | | 200 | 201 | 202 | | | | |
| TRISTOP® -ZYLINDER | | 425 426 ... 0 | | 200 | 201 | 202 | | | | |
| Reparaturatz | | 425 426 000 2 425 426 001 2 | | x | x | x | | | 000 | 001 |
| Federspeicherzylinder | 1** | 425 426 990 1 | | 1 | | | | | | |
| Federspeicherzylinder | 1** | 425 426 988 0 | | | 1 | | | | | |
| Federspeicherzylinder | 1** | 425 426 987 0 | | | | 1 | | | | |
| Rohr | 2 | - | | 1 | | | | | | |
| Spannband | 3 | 423 142 350 4 | | 1 | | 1 | | | | |
| Spannband | 3 | 423 143 350 4 | | | 1 | | | | | |
| Zylinderschraube M8 x 35 DIN 6912-8.8-Zn | 4 | - | 1 | | | | | | | |
| Sechskantmutter M8 | 5 | - | 1 | | | | | | | |
| Membran | 6* | 897 120 495 4 | | 1 | | 1 | | | | 1 |
| Membran | 6* | 897 120 505 4 | | | 1 | | | 1 | | |
| Kolben | 7 | - | | 1 | | | | | | |
| Kolben | 7 | - | | | 1 | | | | | |
| Kolben | 7 | - | | | | 1 | | | | |
| Scheibe | 8 | - | a | | | | | 2 | 2 | |
| Sicherungsring 16 x 1 | DIN 471 | 9* | - | 1 | | | | | | 11 |
| Buchse | 10* | - | 1 | | | | | 1 | 1 | |
| O-Ring 29,2 x 3,0 | 11* | - | 1 | | | | | 1 | 1 | |
| Druckstück | 12 | - | 1 | | | | | | | |
| Zylinderdeckel | 13 | - | | 1 | | | | | | |
| Zylinderdeckel | 13 | - | | | 1 | | | | | |
| Zylinderdeckel | 13 | - | | | | 1 | | | | |
| T-Stück M14 x 1,5-phos. | 14 | - | | 1 | | | | | | |
| Einsteckhülse | 15 | - | | 2 | | | | | | |
| Schneidring | 16 | - | | 3 | | | | | | |
| Überwurfmutter | 17 | - | | 3 | | | | | | |
| Winkelverschraubung | 18 | - | | 1 | | | | | | |

Änderungen bleiben vorbehalten
The right of amendment is reserved

K 20

WABCO

425 426 910 3 Ausgabe 09.94