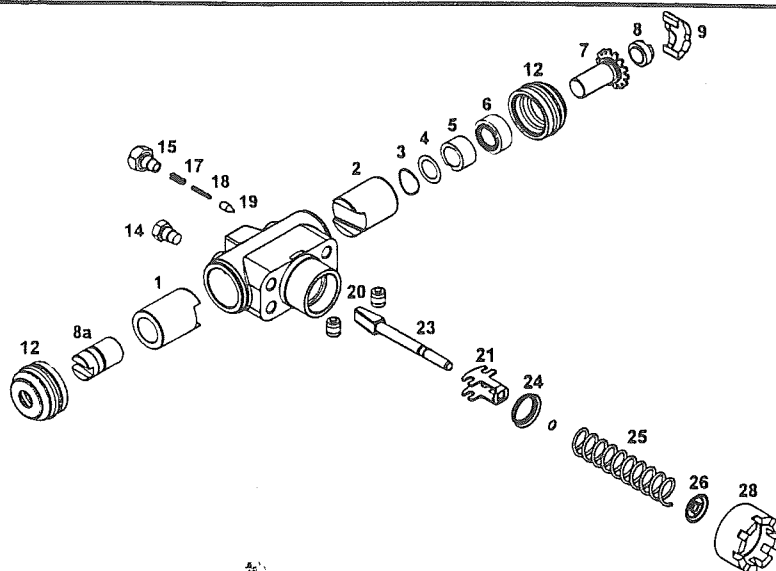
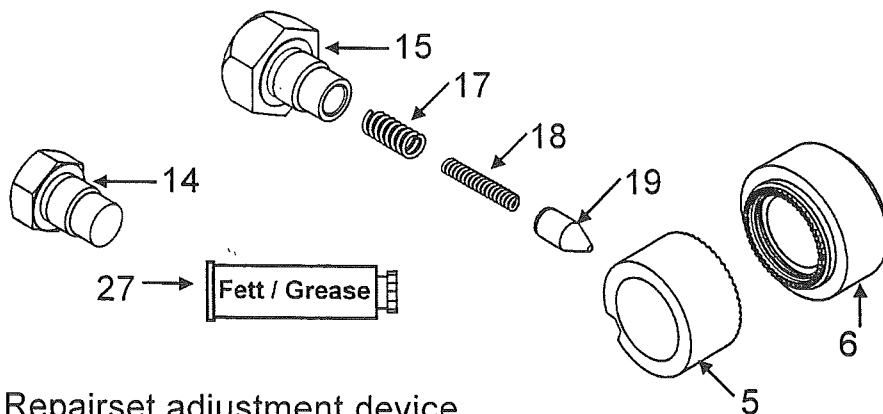


Bremsen-/Brake-/Frein-Type Spreizvorrichtung (Duo-Duplex) Datum/date 10.04.2003

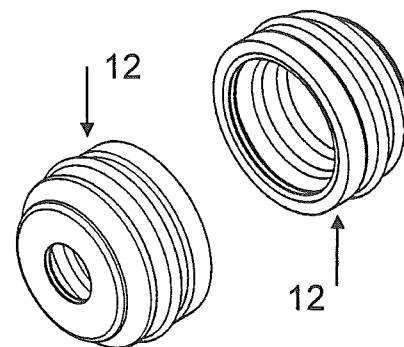
| Pos. Nr. | Benennung | Nummer Number Nr. Repère | Stück/Bremse Qty./Brake Nbr. de pièce par frein | Designation | Désignation | Bemerkung Comment Observation |
|----------|------------------------------------|--------------------------|---|-------------------------------|---|-------------------------------|
| | Spreizvorrichtung | 12 739 086 | | expander unit | dispositif d'écartement | |
| 3 | Biegefeder | 13 303 021 | 1 | spiral spring | ressort en V | |
| 4 | Scheibe | 13 729 135 | 1 | washer | rondelle | |
| 7 | Schraube | 13 730 138 | 1 | screw | vis | |
| 8 | Druckstück | 13 229 139 | 1 | cross strut | poussoir | |
| 8a | Druckstück | 13 229 149 | 1 | cross strut | poussoir | |
| 9 | Blattfeder | 13 304 019 | 1 | leaf spring | ressort à lame | |
| 14 | Schraube | 13 730 089 | 1 | screw | vis | |
| 28 | Kontermutter für Druckluftzylinder | 13 551 045 | 1 | counter nut for air cylinder | contre-écrou pour cylinder à air comprimé | |
| | Reparatursatz Nachstellung | 12 999 295 | 1 | repair set of adjustm. device | pochette de rép. du rattrapeur | |
| 5 | Ring | | | ring | anneau | |
| 6 | Mutter | | 1 | nut | écrou | |
| 14 | Schraube | | 1 | screw | vis | |
| 15 | Schraube | | 1 | screw | vis | |
| 17 | Druckfeder | | 1 | pressure spring | ressort de compression | |
| 18 | Druckfeder | | 1 | pressure spring | ressort de compression | |
| 19 | Bolzen | | 1 | bolt | goujon | |
| 27 | Tube Fett | | 1 | tube of grease | tube de graise | |
| | | | 1 | | | |
| | Reparatursatz Keil | 12 999 519 | 1 | repair set of wedge | pochette de rép. de la clavette | |
| 1 | Kolben | | 1 | piston | piston | |
| 2 | Kolben | | 1 | piston | piston | |
| 20 | Rolle* | | 2 | roller | galet | |
| 21 | Lasche* | | 1 | strap plate | éclisse | *Teile sind vormontiert |
| 23 | Keil* | | 1 | wedge | clavette | |
| 24 | Federteller* | | 1 | spring plate | cuvette de ressort | |
| 25 | Druckfeder* | | 1 | pressure spring | ressort de compression | |
| 26 | Scheibe* | | 1 | washer | rondelle | |
| | Sprengring* | | 1 | lock ring | circlips | |
| 27 | Tube Fett | | 1 | tube of grease | tube de graise | |
| | Rep.-Satz Dichtungen | 12 999 453 | 1 | repair set of seals | pochette de rép. des joints | |
| 12 | Schutzkappe | | 2 | protection cap | capuchon de protection | |



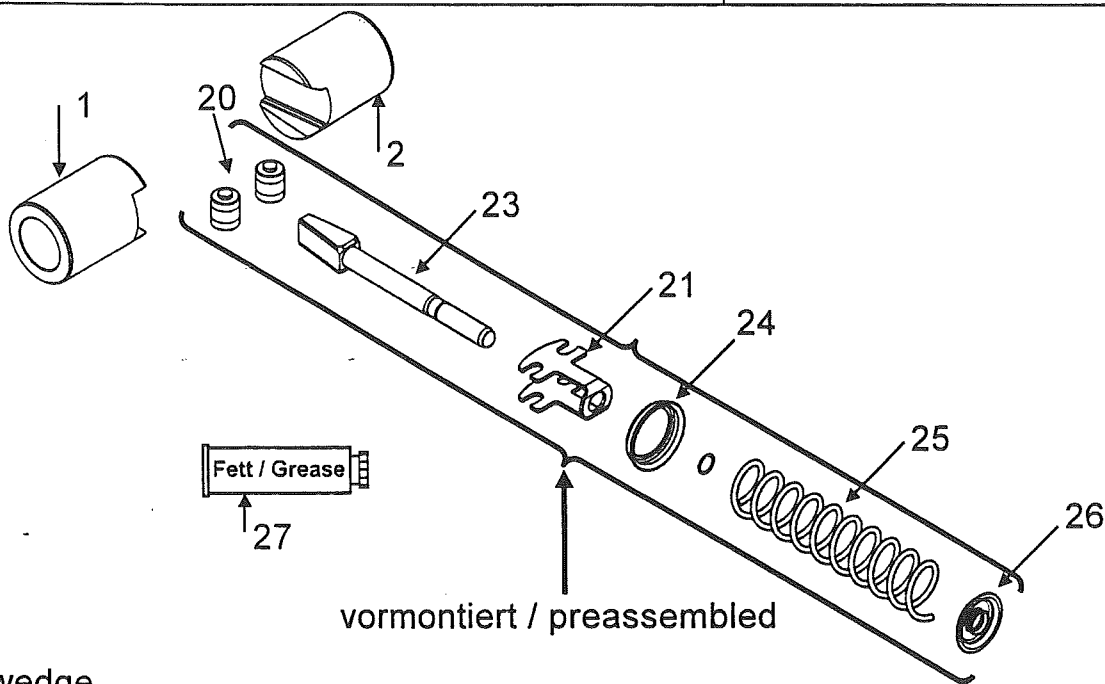
Expander Unit (preassembled)
Part no. 12 739 086



Repairset adjustment device
Part no. 12 999 295



Repairset seals
Part no. 12 999 453



Repairset wedge
Part no. 12 999 519